

THE INFORMATION CONTAINED HEREIN IS CONSIDERED "PROPRIETARY" TO BEL FUSE INC. AND SHALL NOT BE COPIED, REPRODUCED OR DISCLOSED WITHOUT THE WRITTEN APPROVAL OF BEL FUSE INC.

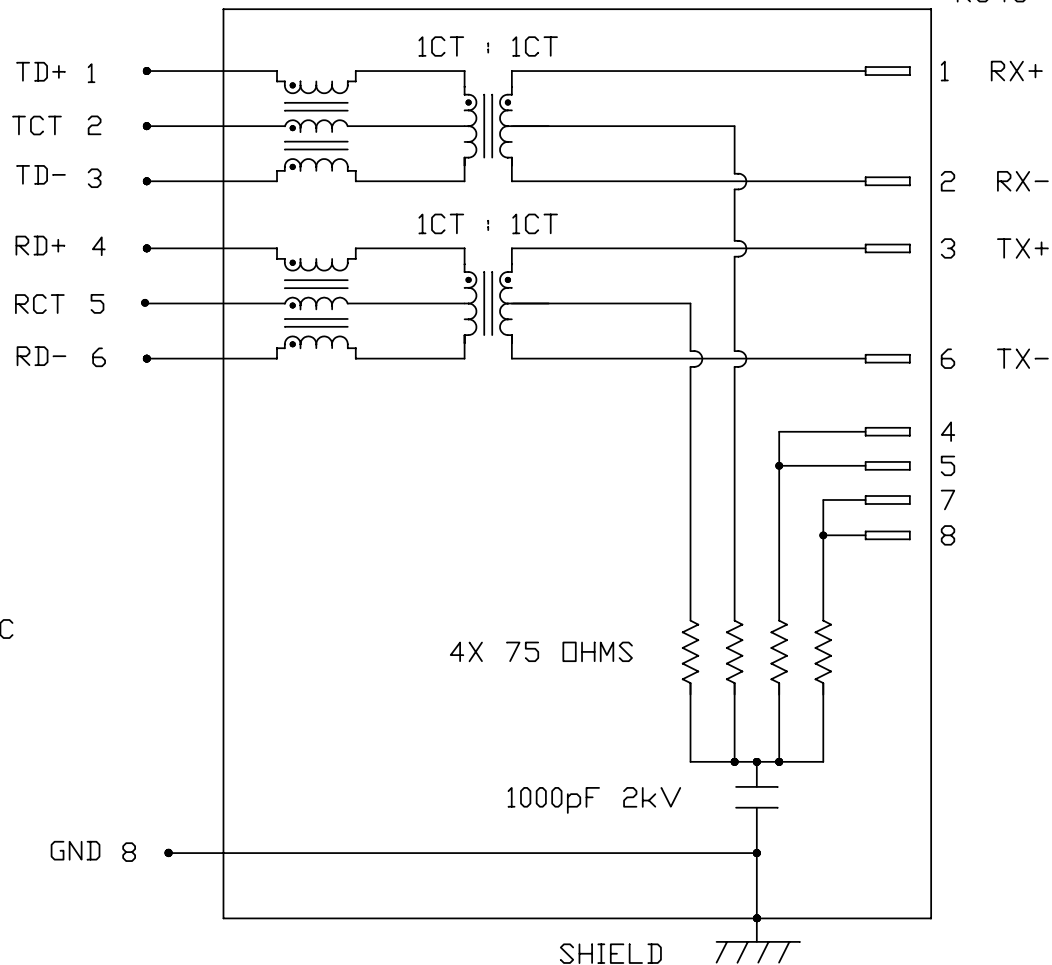
RoHS



ELECTRICAL CHARACTERISTICS @ 25°C

| | |
|---|--|
| <p>URNS RATIO</p> <p>QCL @ 0.1V, 100KHz 8mA DC BIAS</p> <p>INSERTION LOSS 100KHz TO 100MHz</p> <p>RETURN LOSS (MIN.) 1MHz-30MHz 60MHz-80MHz</p> <p>XTALK 100KHz TO 100MHz</p> <p>HIPOT (Isolation Voltage): 100% OF PRODUCTION TESTED TO COMPLY WITH IEEE 802.3 ISOLATION REQUIREMENTS.</p> | <p>1CT : 1CT ±3%</p> <p>350µH MIN.</p> <p>-1.1 dB</p> <p>-18 dB -12 dB</p> <p>-35 dB MIN.</p> <p>1500Vrms or 2250VDC</p> |
|---|--|

SCHEMATIC

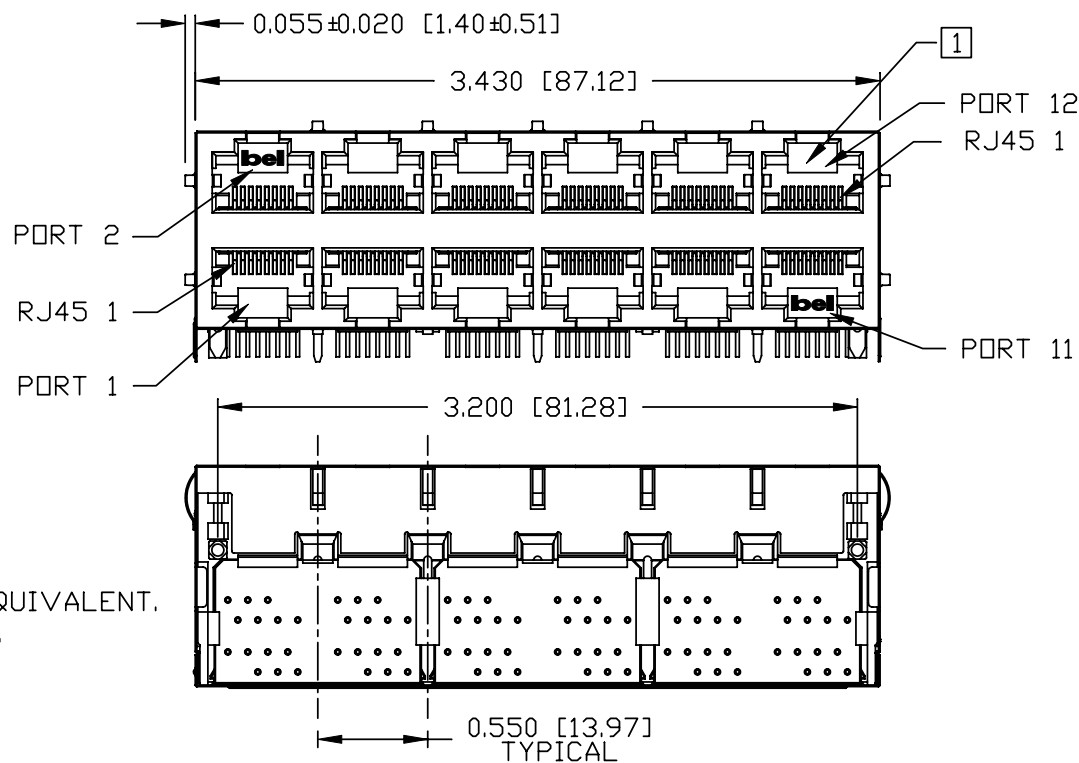
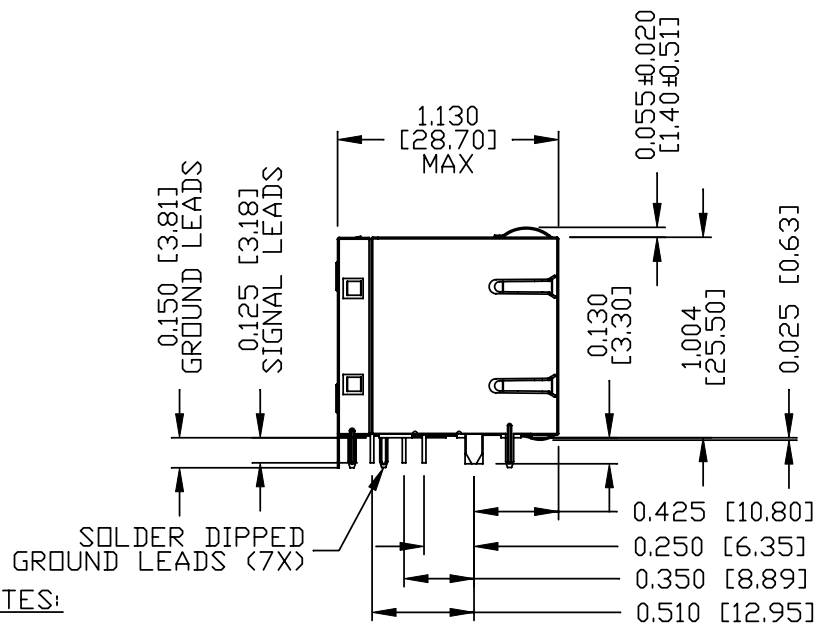
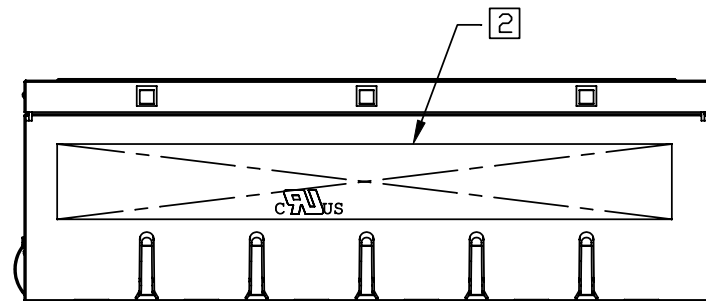


RJ45

| | | | | | | | |
|--|-------------------------------|---|---|--|-------------------------------------|------------------|-----------------|
| <p>ORIGINATED BY</p> <p>CHOW WANGCHUNG</p> | <p>DATE</p> <p>2012-01-18</p> | <p>TITLE</p> <p>2X6 10/100 MagJack® (4 Cores) 0811-2X6R-19-F PATENTED</p> | <p>PART NO. / DRAWING NO.</p> <p>08112X6R19-F</p> | <p>STANDARD DIM.</p> <p>TOL. IN INCH</p> | <p>[] METRIC DIM. AS REFERENCE</p> | | |
| | | | | | <p>UNIT : INCH [mm]</p> | <p>REV. : A</p> | |
| <p>DRAWN BY</p> <p>TAN QIGUANG</p> | <p>DATE</p> <p>2012-01-18</p> | | <p>FILE NAME</p> <p>08112X6R19-F_A.DWG</p> | <p>.X</p> | <p>SCALE : N/A</p> | <p>SIZE : A4</p> | <p>PAGE : 2</p> |
| | | | | <p>.XX</p> | | | |
| | | | | <p>.XXX</p> | | | |

THE INFORMATION CONTAINED HEREIN IS CONSIDERED "PROPRIETARY" TO BEL FUSE INC. AND SHALL NOT BE COPIED, REPRODUCED OR DISCLOSED WITHOUT THE WRITTEN APPROVAL OF BEL FUSE INC.

RoHS



NOTES:

- PLASTIC HOUSING: THERMOPLASTIC PBT
FLAMMABILITY RATING UL 94V-0
- CONTACT PLATING: 50 MICRO-INCH HARD GOLD PLATING OR EQUIVALENT.
- OUTPUT PINS: TIN-COATED COPPER WIRE, DIA 0.018 INCH.
- METAL SHIELD: NICKEL PLATED ON COPPER ALLOY.
(ALL GROUND LEADS ARE SOLDER DIPPED)

- [1] JACK CAVITY CONFORMS TO FCC RULES AND REGULATIONS, PART 68 SUBPART F.
- [2] MARK PART WITH MFG LOGO, MFG NAME, PART NUMBER DATE CODE AND PATENTED.

- 3. THE PRODUCT IS RoHS COMPLIANT.
- 4. THE PRODUCT IS PATENTED, THE PATENT NUMBER ARE U.S. PAT. 5,736,910 AND U.S. PAT. 6,840,817 AND U.S. PAT. 7,123,117.

c UL RECOGNIZED - FILE #E196366 AND E169987.

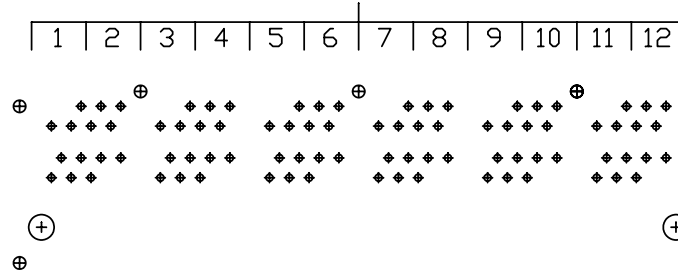
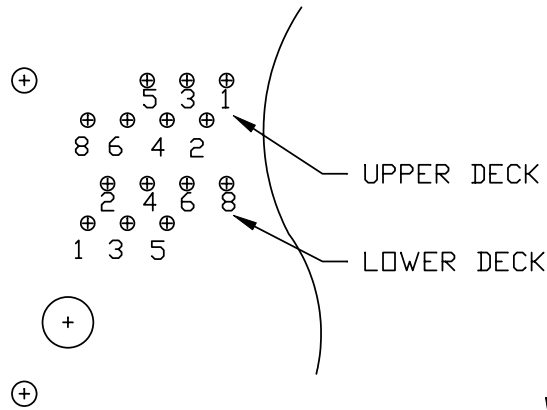
| | | | | | | | |
|-----------------------------|--------------------|---|--|-------------------------------|------------------------------|----------|---|
| ORIGINATED BY ANTON LIAO | DATE 2012-01-18 | TITLE 2X6 10/100 MagJack® (4 Cores) 0811-2X6R-19-F PATENTED | PART NO. / DRAWING NO. 08112X6R19-F | STANDARD DIM. TOL. IN INCH | [] METRIC DIM. AS REFERENCE | | COMPONENTS FOR A CONNECTED PLANET |
| DRAWN BY HE ZHEN | DATE 2012-01-18 | | FILE NAME 08112X6R19-F_A.DWG | .X .XX .XXX | UNIT : INCH [mm] | REV. : A | |
| | | | ±0.010 | SCALE : N/A | SIZE : A4 | | |
| | | | | | PAGE : 3 | | |

THE INFORMATION CONTAINED HEREIN IS CONSIDERED "PROPRIETARY" TO BEL FUSE INC. AND SHALL NOT BE COPIED, REPRODUCED OR DISCLOSED WITHOUT THE WRITTEN APPROVAL OF BEL FUSE INC.

RoHS

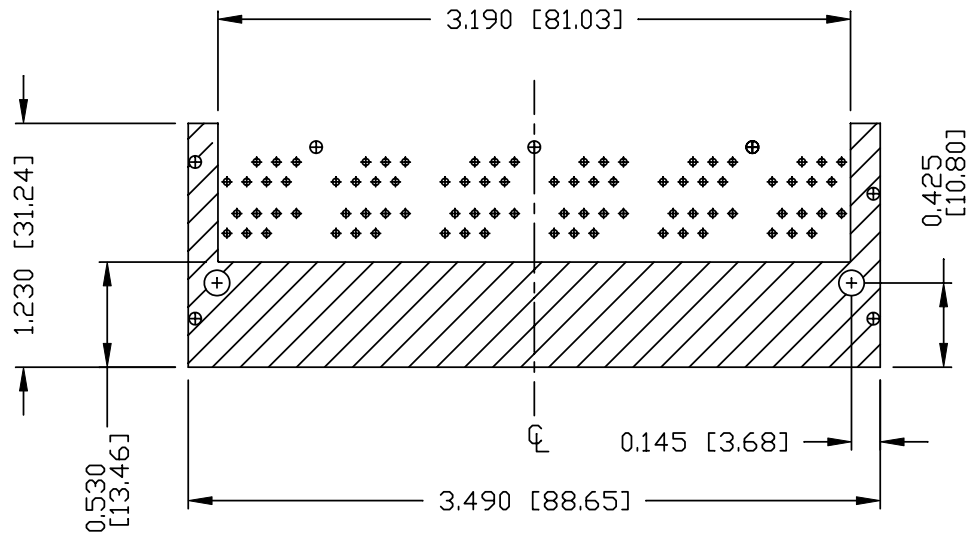


PORT ASSIGNMENT
(COMPONENT SIDE VIEW)



PIN-OUT INFORMATION
(COMPONENT SIDE VIEW)

| | |
|---|--------|
| 8 | GND |
| 7 | NO PIN |
| 6 | RD- |
| 5 | RCT |
| 4 | RD+ |
| 3 | TD- |
| 2 | TCT |
| 1 | TD+ |



THE SHADED AREA ON THE CUSTOMER BOARD ARE RECOMMENDED TO BE CLEAR OFF ANY VIA HOLE OR COMPONENT PAD.

| | |
|-----------------------------|--------------------|
| ORIGINATED BY ANTON LIAO | DATE 2012-01-18 |
| DRAWN BY HE ZHEN | DATE 2012-01-18 |

| |
|---|
| TITLE 2X6 10/100 MagJack® (4 Cores) 0811-2X6R-19-F PATENTED |
|---|

| |
|--|
| PART NO. / DRAWING NO. 08112X6R19-F |
| FILE NAME 08112X6R19-F_A.DWG |

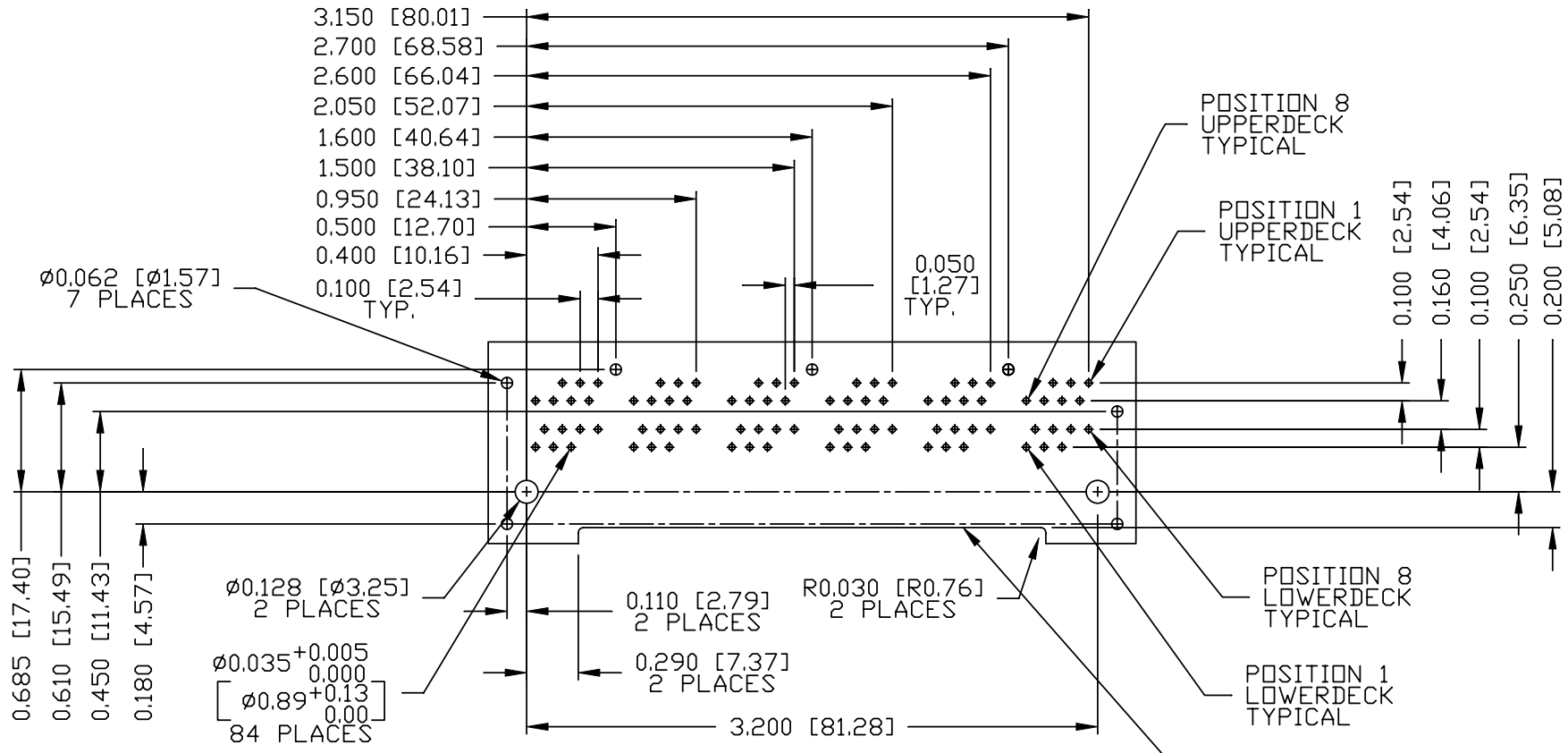
| |
|-------------------------------|
| STANDARD DIM. TOL. IN INCH |
| .X |
| .XX |
| .XXX ±0.010 |

| | |
|------------------------------|-----------|
| [] METRIC DIM. AS REFERENCE | REV. : A |
| UNIT : INCH [mm] | SIZE : A4 |
| SCALE : N/A | PAGE : 4 |



THE INFORMATION CONTAINED HEREIN IS CONSIDERED "PROPRIETARY" TO BEL FUSE INC. AND SHALL NOT BE COPIED, REPRODUCED OR DISCLOSED WITHOUT THE WRITTEN APPROVAL OF BEL FUSE INC.

RoHS



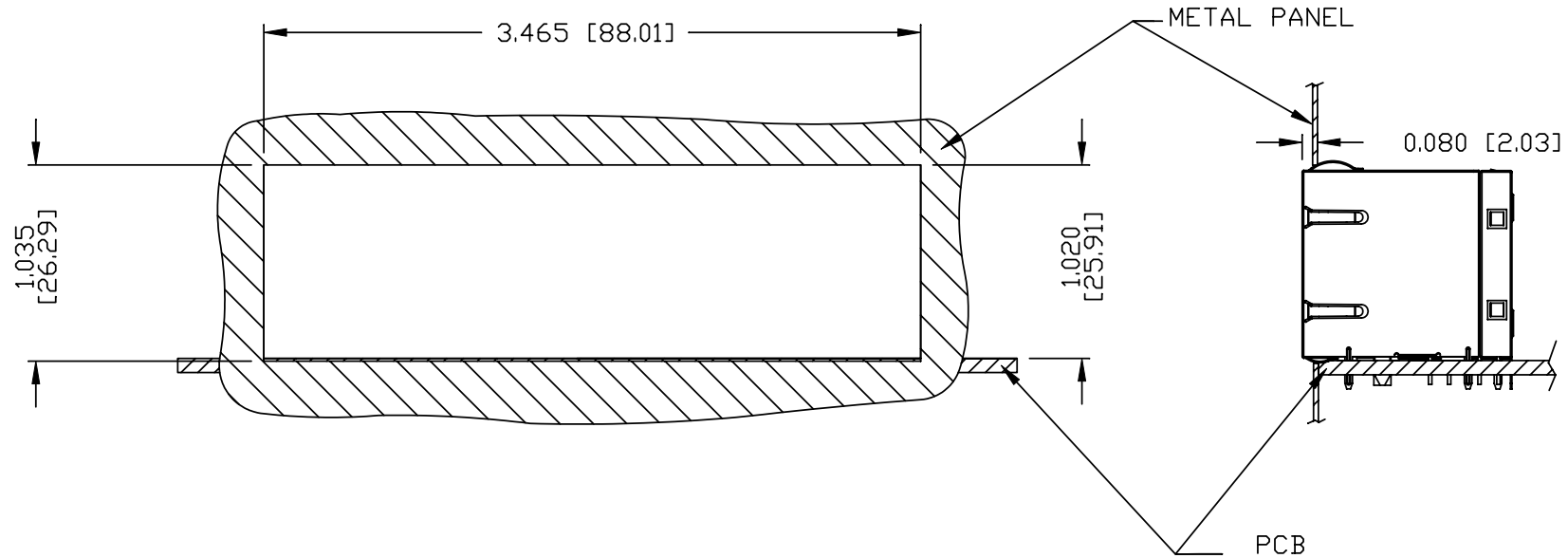
SUGGESTED FOOTPRINT
(COMPONENT SIDE VIEW)

| | | | | | | | | | |
|-----------------------------|--------------------|---|--|--|---------------------------------|------------------|----------|----------|---------------------------------------|
| ORIGINATED BY ANTON LIAO | DATE 2012-01-18 | TITLE 2X6 10/100 MagJack® (4 Cores) 0811-2X6R-19-F PATENTED | PART NO. / DRAWING NO. 08112X6R19-F | STANDARD DIM. TOL. IN INCH .X .XX .XXX | [] METRIC DIM. AS REFERENCE | | REV. : A | PAGE : 5 | COMPONENTS FOR A CONNECTED PLANET |
| DRAWN BY HE ZHEN | DATE 2012-01-18 | | | | FILE NAME 08112X6R19-F_A.DWG | UNIT : INCH [mm] | | | |

THE INFORMATION CONTAINED HEREIN IS CONSIDERED "PROPRIETARY" TO BEL FUSE INC. AND SHALL NOT BE COPIED, REPRODUCED OR DISCLOSED WITHOUT THE WRITTEN APPROVAL OF BEL FUSE INC.

SUGGESTED PANEL OPENING

RoHS



NOTE:

THE DISTANCE OF PANEL INSIDE SURFACE RELATIVE TO FRONT SURFACE OF PART IS ONLY A SUGGESTION. IN CASE THIS DISTANCE IS DIFFERENT, THE REQUIRED PANEL OPENING DIMENSIONS CHANGE ACCORDINGLY.

PACKING INFORMATION

PACKING TRAY : 0200-9999-A9 (TOP)
0200-9999-A8 (BOTTOM)

PACKING QUANTITY : 15 PCS FINISHED GOODS PER TRAY
7 TRAYS (105 PCS FINISHED GOODS) PER CARTON BOX

NOTE : CARDBOARDS ARE PLACED BETWEEN LAYERS OF PACKING TRAY INSIDE CARTON BOX
(INCLUDE THE UPPERMOST AND LOWERMOST TRAY)

| | | | | | | | | | |
|-----------------------------|---------------------|---|--|---------------------------------|-------------------------------|-------------|------------------------------|----------|---|
| ORIGINATED BY ANTON LIAO | DATE 2012-01-18 | TITLE 2X6 10/100 MagJack® (4 Cores) 0811-2X6R-19-F PATENTED | PART NO. / DRAWING NO. 08112X6R19-F | | STANDARD DIM. TOL. IN INCH | | [] METRIC DIM. AS REFERENCE | | COMPONENTS FOR A CONNECTED PLANET |
| | DRAWN BY HE ZHEN | | DATE 2012-01-18 | FILE NAME 08112X6R19-F_A.DWG | .X | | UNIT : INCH [mm] | REV. : A | |
| | | | | .XX | | SCALE : N/A | SIZE : A4 | | |
| | | | | .XXX | ±0.004 | | PAGE : 6 | | |