

AMS-2111 Series

Industrial IEEE 802.11 b/g/n 2.4GHz
Wireless AP/Client/Bridge/Repeater



Features

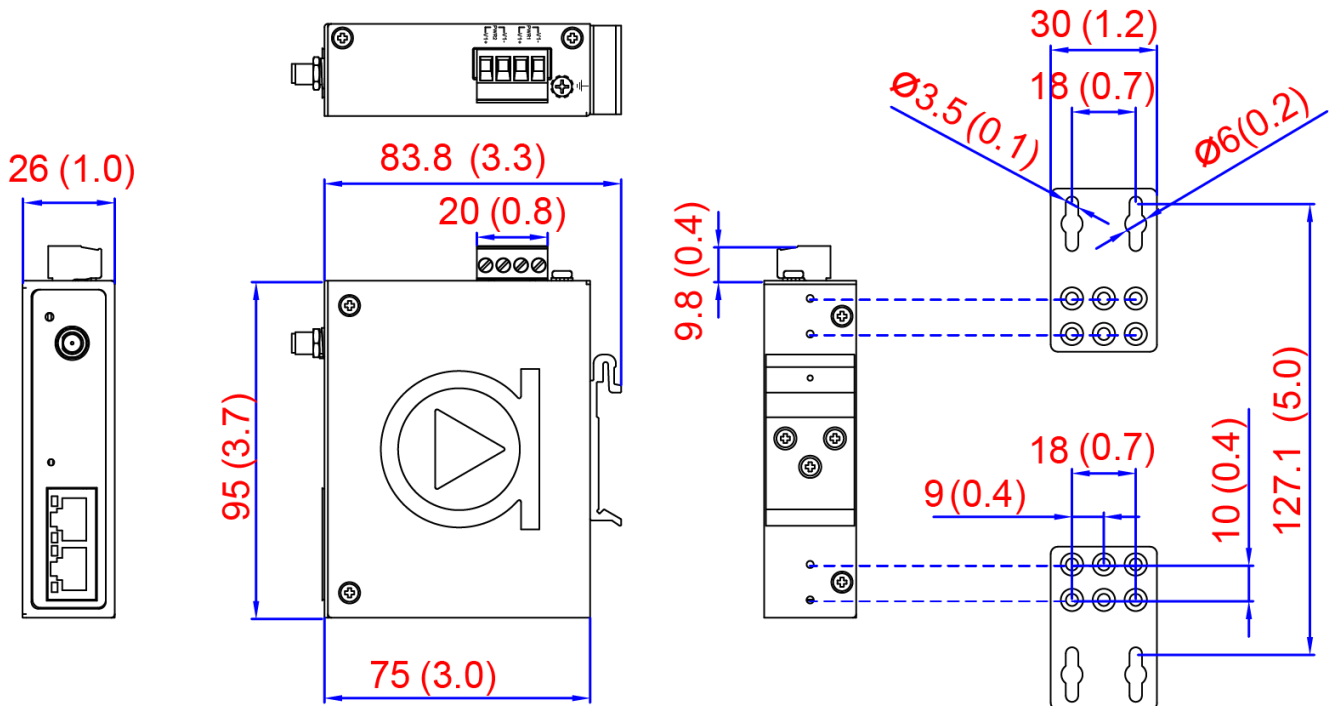
- ▶ WLAN Supports up to 150Mbps
- ▶ Industrial 1x1 SISO (Single Input Single Output)
- ▶ Supports IEEE 802.11 b/g/n
- ▶ Supports 2*10/100Base-TX WAN/LAN Port
- ▶ Qualcomm/Atheros AR9331 SoC
- ▶ Tx Power (EIRP) 21 dB for 2.4GHz
- ▶ WPA, WPA2, TKIP, AES
- ▶ Power Input: 9~48VDC in 4-Pin Terminal Block
- ▶ Reverse Polarity Protection
- ▶ IP30 Protection
- ▶ DIN-Rail or Wall Mountable
- ▶ Operating Temperature Range
 - STD: 0° to 60°C, EOT: -40° to 75°C
- ▶ 5-Year Warranty

INTRODUCTION

Antaira Technologies' AMS-2111 Series is designed for industrial and enterprise wireless access applications. Embedded with the Qualcomm/Atheros AR9331 chipset, it boasts network robustness, stability, and a wider network coverage with a very low voltage input. Based on IEEE 802.11 b/g/n, the access point supports high-speed data transmission of up to 150Mbps.

The AMS-2111 Series is capable of operating in different modes which makes it suitable for a wide variety of wireless applications, including long-distance deployments. The unit also allows the user to position the wireless antenna in a better signal-broadcasting location for improved wireless coverage and signal strength or simply in a more convenient location.

DIMENSIONS



Unit: mm (inch)

Din-rail

Wall-mount

SPECIFICATIONS

Technology	
Standards	IEEE 802.11 b/g/n IEEE 802.3 10Base-T Ethernet IEEE 802.3u 100Base-TX Fast Ethernet
WLAN Operation Mode	AP/Client/Bridge/Repeater
Protocol	IP, TCP, UDP, ARP, BOOTP, ICMP, HTTP, HTTPS, DNS Proxy, NTP, RADIUS, Dynamic DNS, SNMP
WiFi Encryption	WPA, WPA2, TKIP, AES
Interface	
Ethernet Port	2*10/100BaseT(X), auto negotiation speed, Full/Half Duplex Mode
WLAN	Single Radio 2.4 GHz
Antenna	One External SMA Antenna: 3dBi for 2.4GHz (SISO)
Frequency Range	
IEEE 802.11b/g/n (2.4GHz)	US/TW: 2.412G~2.462GHz EU/AU/NZ: 2.412G~2.472GHz
Mechanical Characteristics	
Housing	Metal, IP30 protection
Dimensions	26 x 95 x 75 mm (W x H x D)
Weight	Unit: 0.60 lbs. Shipping: 1.0 lbs.
Mounting	DIN-Rail Mounting, Wall Mounting

Power Requirement	
Input Voltage	9 to 48VDC redundant input
Power Connection	4-pin terminal block
Reverse Polarity Protection	Present
Power Consumption	2 Watts
Environmental Limits	
Operating Temperature	STD: 0°C to 60°C (32 to 140°F) EOT: -40°C to 75°C (-40 to 167°F)
Storage Temperature	-40°C to 90°C (-40 to 194°F)
Ambient Relative Humidity	10% to 90%, (non-condensing)
Regulatory Approvals	
EMI	FCC Part 15 Subpart B CE EN 55032, EN301489-1/-17 FCC Part 15 subpart B CNS13438 AS/NZS CSIPR 32
EMS	CE EN 55024 IEC61000-4-2 (ESD), IEC61000-4-3 (RS), IEC61000-4-4 (EFT), IEC61000-4-5 (Surge), IEC61000-4-6 (CS), IEC61000-4-8 (Magnetic Field) IEC61000-4-11
RF	FCC Part 15 Subpart C/E CE-RED EN300328 EN301893 EN301489-1/-17 LP0002 AS/NZS 4268
RF Radiation Exposure	EN62311 FCC Part 2.1091
Safety	EN60950-1 CNS14336-1
Green	RoHS Compliant
Certifications	FCC, CE, NCC, RCM
Warranty	5 Years

ORDERING INFO

AMS-2111	Industrial IEEE 802.11 b/g/n Single Radio Wireless Access Point/Client/Bridge/Repeater; STD: 0°C to 60°C
AMS-2111-T	Industrial IEEE 802.11 b/g/n Single Radio Wireless Access Point/Client/Bridge/Repeater; EOT: -40°C to 75°C
Optional Accessories	
HDR-60-24	60W Industrial DIN-Rail Power Supply, 24VDC
NDR-75-12	75W Industrial DIN-Rail Power Supply, 12VDC