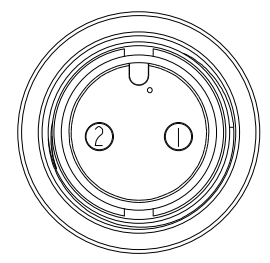
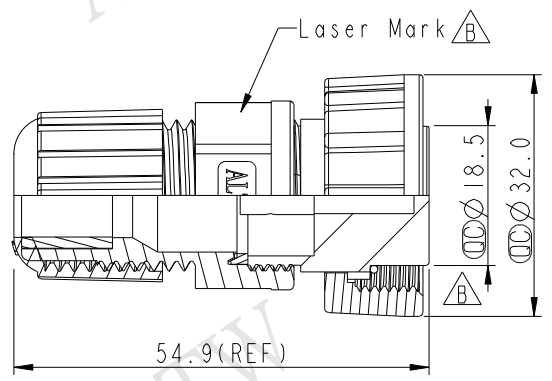
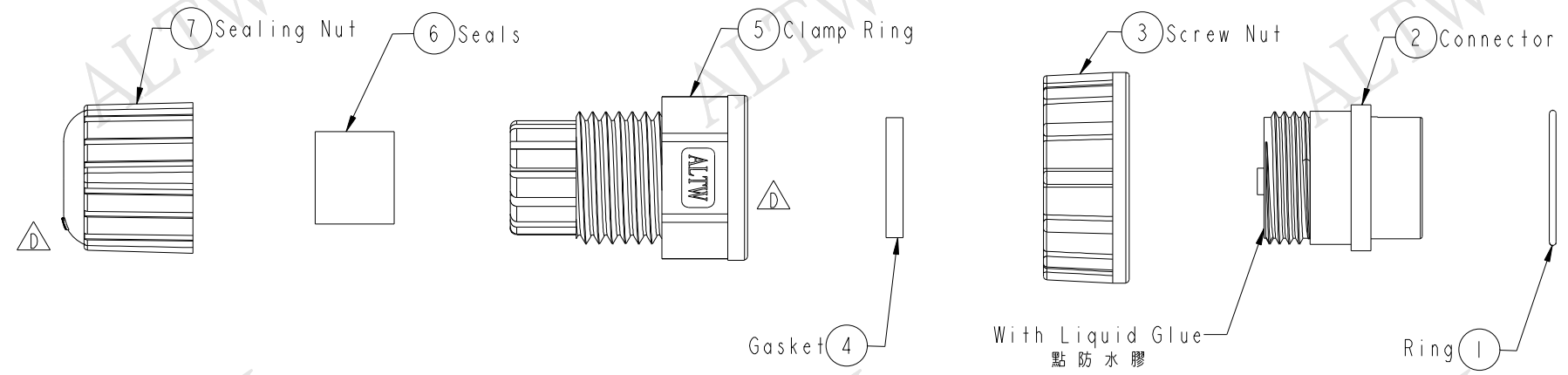


THIS DOCUMENT IS SUBJECT TO CHANGE WITHOUT NOTICE. IT IS CONFIDENTIAL AND A PROPERTY OF AMPHENOL LTW. DISCLOSURE TO THIRD PARTY HAS TO BE AUTHORIZED BY AMPHENOL LTW.

REV.	ECN NO.	DATE	SIGN	DESCRIPTION
B	LEN-810162	2008/01/23	Allan	Dimensions Sign To Modify
C	LEN-860088	2008/06/02	Vicky	Add laser mark.
D	LEN1520289	2015/02/11	Lu Di	Update LOGO



Pin Assignments
Front View 前視圖

ALTW
 CONFIDENTIAL
 2015-02-11
 R&D DEPT.

ALTW
 DCC. DEPT.
 CONFIDENTIAL
 2015.03.03
 ISSUED

- Note:
- * \varnothing Important Dimension To Check.
 - * Waterproof Rate: IP67
 - * Housing: Nylon+GF
 - * Pin: Copper Alloy, Gold Plated
 - * Liquid Glue: Clear
 - * Ring: Black, EPDM
 - * Nut: Black, Nylon+GF
 - * Change Nut: Black, Nylon+GF
 - * Gasket: Black, Silicone
 - * Clamping Ring: Black, Nylon
 - * Seals: Black, EPDM
 - * Sealing Nut: Black, Nylon
 - * Seal For Cable OD: \varnothing 5.5mm~10.8mm
 - * One Set Unassembled In One PE Bag
 - \triangle * Laser Mark: 工單號碼(6碼)
字型 Simplex: 字高 2mm.

UNIT: mm		TITLE Screw Type Connector For Field Installation 180° 2Pin Female Connector Female Pin(20A)			ITEM NO DC-02BFFA-SL7001		DRAWN BY Lu Di		DATE 2015/02/11	
		TOLERANCE .X ±0.25 .XX ±0.1 .XXX ±0.05 ANGLES ±1°	SCALE 1:1	SIZE A4	SHEET 1 OF 1	DWG NO DC-02BFFA-SL7001	CHECKED BY Joyy	DATE 2015/02/11	APPROVED BY Jerry	DATE 2015/02/11
REV. D WC-REV. A.2 \varnothing : Inspection item				CUSTOMER ALTW		APPROVED BY Jerry		DATE 2015/02/11		8 FMM10702-01-02A1

Amphenol LTW
 安費諾亮泰企業股份有限公司