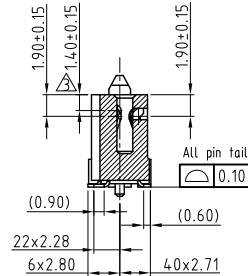
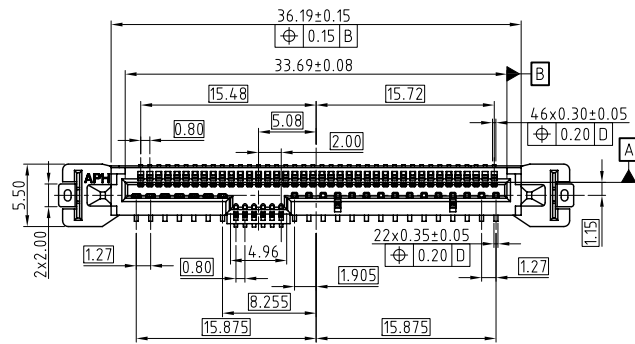
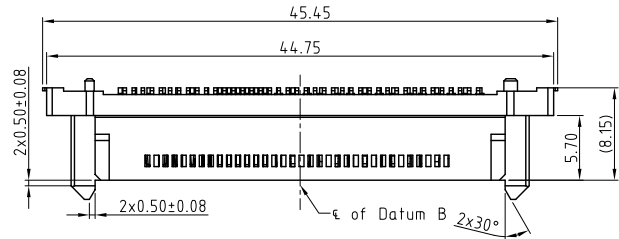


This document is the property of Amphenol Corporation and is delivered on the express condition that it is not to be disclosed, reproduced or used, in whole or in part, for manufacture or sale by anyone other than Amphenol Corporation without its prior consent, & that no right is granted to disclose or to use any information in this document.

CUSTOMER DRAWING

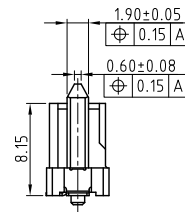
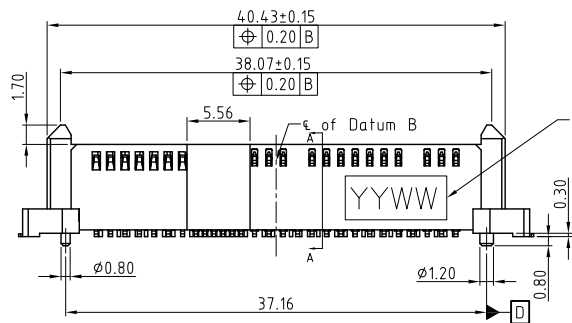
REVISIONS

SYM	ECN	DESCRIPTION	DATE	APPROVED
1	N/A	FIRST RELEASE	09/16/18	IP
2	N/A	UPDATE PCB FOOTPIN LENGTH	10/29/18	IP
3	N/A	ADDED PACKING SPEC	12/07/18	IP



NOTES

- MATERIAL**
 - HOUSING: HIGH TEMPERATURE THERMOPLASTIC, UL94V-0, COLOR:BLACK.
 - CONTACTS : PHOSPHOR BRONZE
PLATING: REFER TO P/N SYSTEM ON MATING AREA.
1.27um MIN NICKEL UNDER PLATED OVERALL.
2.54um MIN PURE MATTE TIN ON SOLDER TAILS.
 - SOLDER CLIPS: COPPER ALLOY
2.54um MIN PURE MATTE TIN OVER 1.27um MIN NICKEL.
- GENERAL SPECIFICATION**
 - CURRENT RATING: 1.5A/PER PIN (POWER SECTION).
 - CONTACT RESISTANCE: 30mΩ MAX (INITIAL).
 - INSULATOR RESISTANCE: 1000MΩ MIN.
 - DIELECTRIC WITHSTANDING VOLTAGE: 500 VAC
 - OPERATION TEMPERATURE: -40°C~+85°C
- PREMATING AT P4 & P12**
- SUPPORT PCIe GEN5**
- DIMENSIONING SHALL BE INTERPRETED PER ASME Y14.5M 1994.**
- MATERIAL SHOULD BE FULFILLED AMPHENOL SPEC.# S-SN-002, FOR HALOGEN FREE PRODUCTS, ALSO NEED TO MEET S-SN-004.**
- ORDER P/N SYSTEM: PN WITH OR W/O "-" IS THE SAME**
PSAS5F313002XXX



MATING AREA PLATING
 1- 0.76um MIN Au.
 2- 0.38um MIN Au.
 3- Gold FLASH

PACKING STYLE
 NIL- TRAY WITHOUT PICK-UP CAP
 C- TRAY WITH PICK-UP CAP
 TR- TAPE AND REEL WITH PICK-UP CAP



UNLESS OTHERWISE SPECIFIED TOLERANCES	
U.S.	METRIC
.X	+/- 0.50
.XX	+/- 0.25
.XXX	+/- 0.15
FRACTIONS	+/-
ANGLES	3°

APPROVAL		DATE
DRAWN	Jackie.Tan	12/07/18
CHECKED	Xiang.Wang	12/07/18
CHECKED		

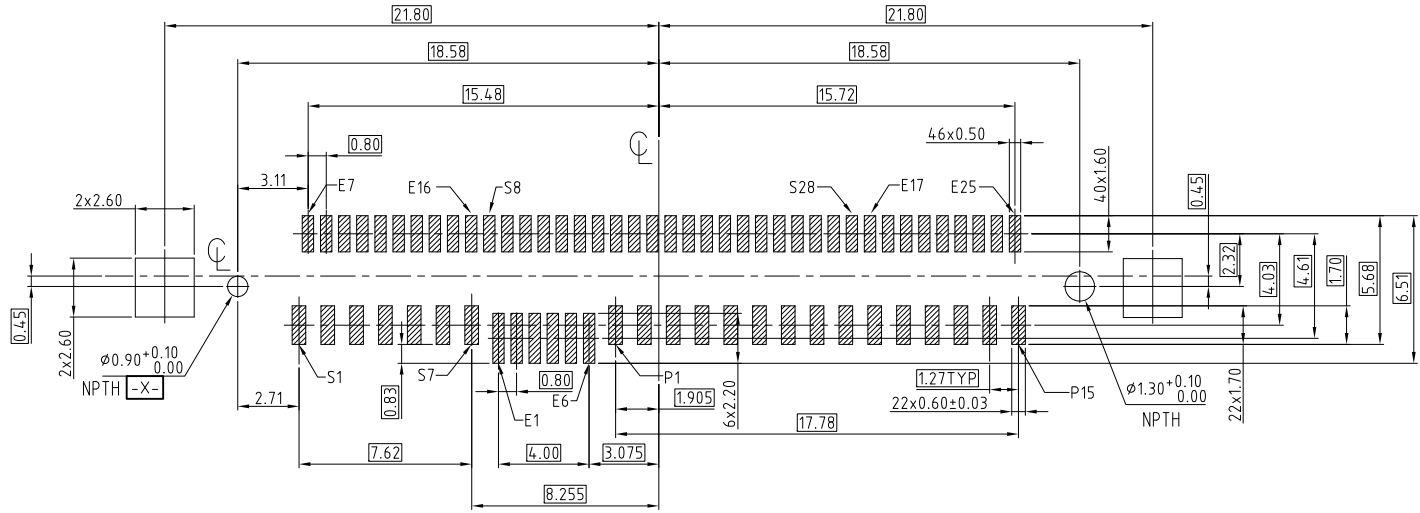
Amphenol	
Amphenol East Asia Limited	
TITLE PCIe/SAS VERTICAL SMT RECEPTACLE	
SIZE DRAWING NO.	REV.
A3 PSAS5F313002XXX	3
SCALE	SHEET 1 OF 3
NONE	

This document is the property of Amphenol Corporation and is delivered on the express condition that it is not to be disclosed, reproduced or used, in whole or in part, for manufacture or sale by anyone other than Amphenol Corporation without its prior consent, & that no right is granted to disclose or to use any information in this document.

CUSTOMER DRAWING

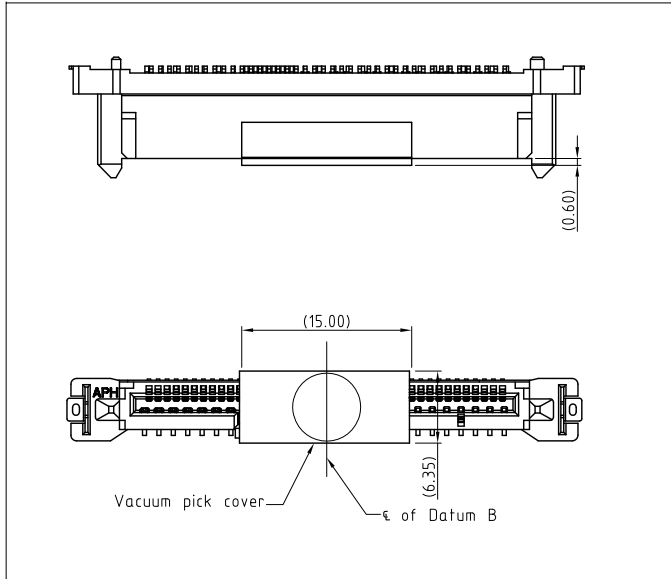
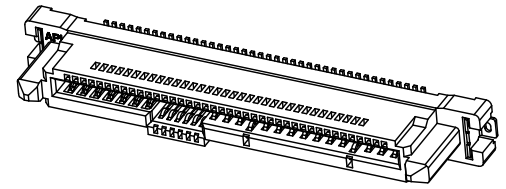
REVISIONS

SYM	ECN	DESCRIPTION	DATE	APPROVED
		REFER TO SHEET 1		



With Pick-up Cover

RECOMMENDED PCB LAYOUT
GENERAL TOLERANCE ±0.05

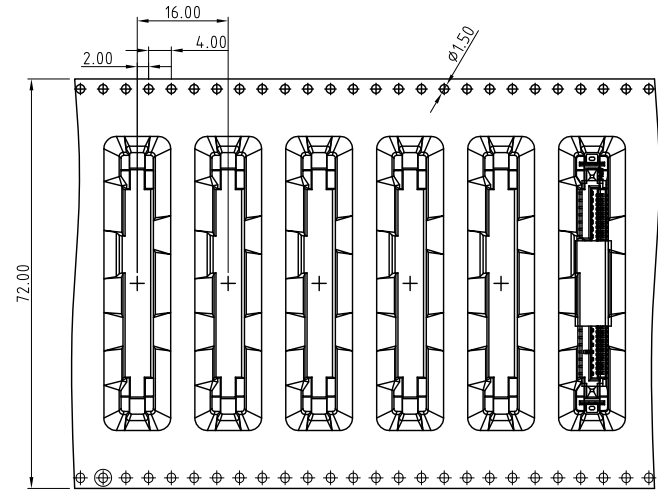


UNLESS OTHERWISE SPECIFIED TOLERANCES		APPROVAL		DATE
U.S.		DRAWN	Jackie.Tan	12/07/18
.X	+/- 0.50	CHECKED	Xiang.Wang	12/07/18
.XX	+/- 0.25	CHECKED		
.XXX	+/- 0.15			
FRACTIONS	+/-	DRAWING FILE :		
ANGLES +/-	3°	DRAWING\PSAS\PSAS\PSAS5F313002XXX-3		
FOR MATERIALS AND FINISHES SEE NOTES		ANGLE OF PROJECTION		
REMOVE SHARP EDGES				
DIMENSIONS				
U.S.	INCHES			
(METRIC)	(MM)			
Amphenol		TITLE		
Amphenol East Asia Limited		PCle/SAS VERTICAL SMT RECEPTACLE		
SIZE		DRAWING NO.		REV.
A3	PSAS5F313002XXX			3
SCALE	NONE	SHEET 2 OF 3		

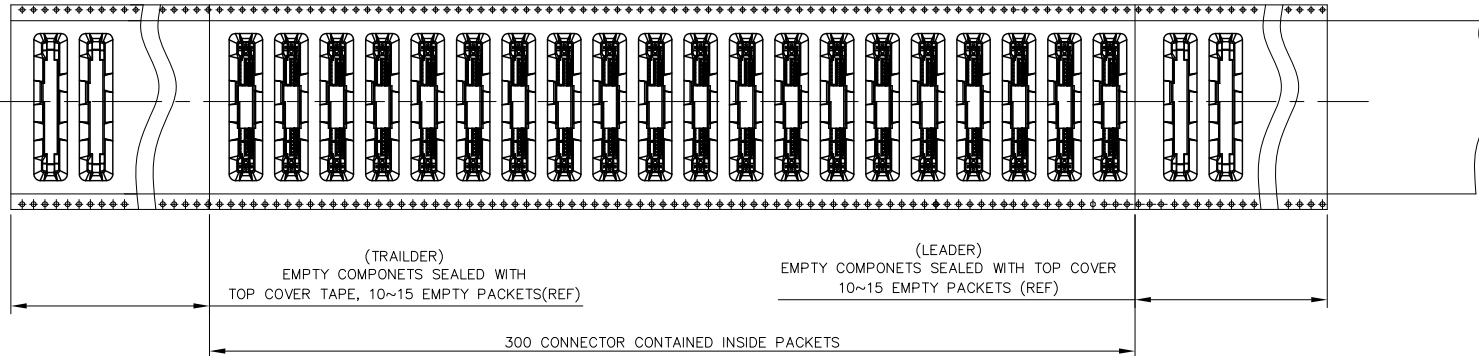
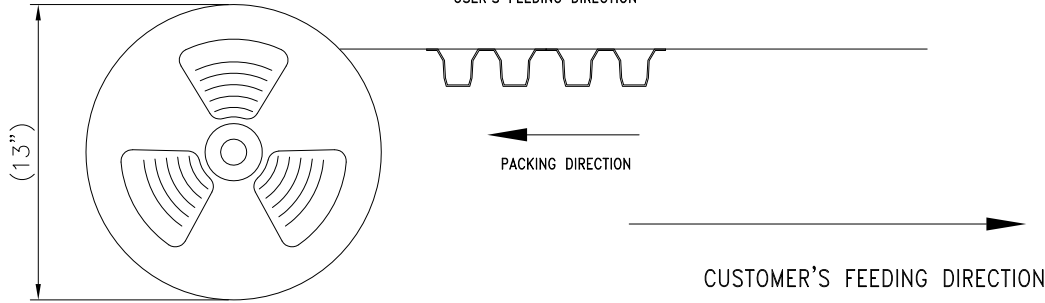
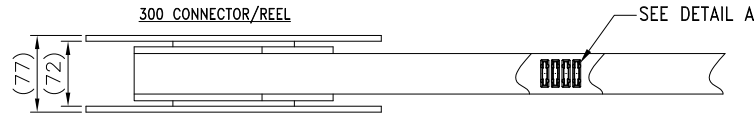
This document is the property of Amphenol Corporation and is delivered on the express condition that it is not to be disclosed, reproduced or used, in whole or in part, for manufacture or sale by anyone other than Amphenol Corporation without its prior consent, & that no right is granted to disclose or to use any information in this document.

CUSTOMER DRAWING

REVISIONS				
SYM	ECN	DESCRIPTION	DATE	APPROVED
REFER TO SHEET 1				



DETAIL A
SCALE 2:1



UNLESS OTHERWISE SPECIFIED TOLERANCES U.S. METRIC .X +/- 0.50 .XX +/- 0.25 .XXX +/- 0.20 FRACTIONS +/- 3" ANGLES +/- FOR MATERIALS AND FINISHES SEE NOTES	APPROVAL DRAWN Jackie Tan 12/07/18 CHECKED Kiang Wang 12/07/18 CHECKED	DATE 12/07/18 12/07/18	Amphenol Amphenol East Asia Limited TITLE PCIe/SAS VERTICAL SMT RECEPTACLE	
	DRAWING FILE : DRAWING\PSAS\PSAS\PSAS5F313002XXX-3			
	REMOVE SHARP EDGES DIMENSIONS U.S. INCHES (METRIC) (MM)			ANGLE OF PROJECTION
	SIZE A3	DRAWING NO. PSAS5F313002XXX		REV. 3
SCALE		NONE	SHEET 3 OF 3	