

PRODUCT DATASHEET

Strada series

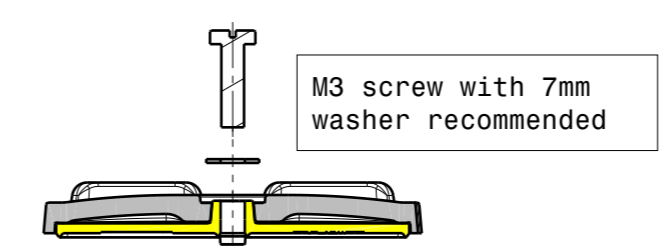
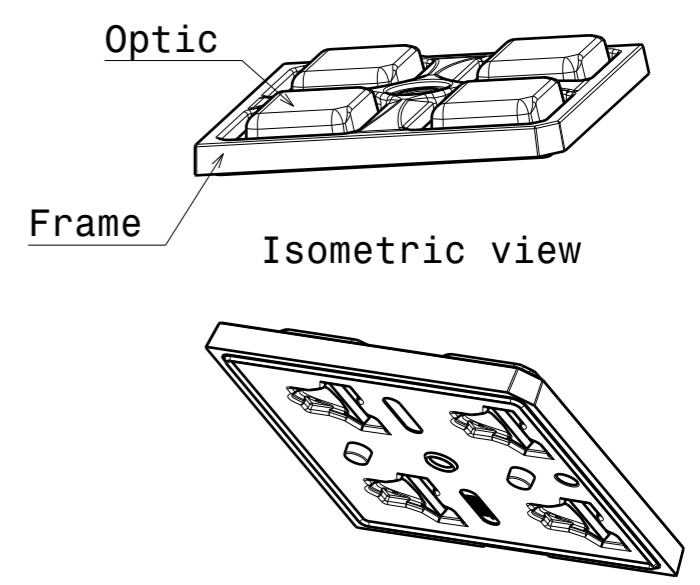
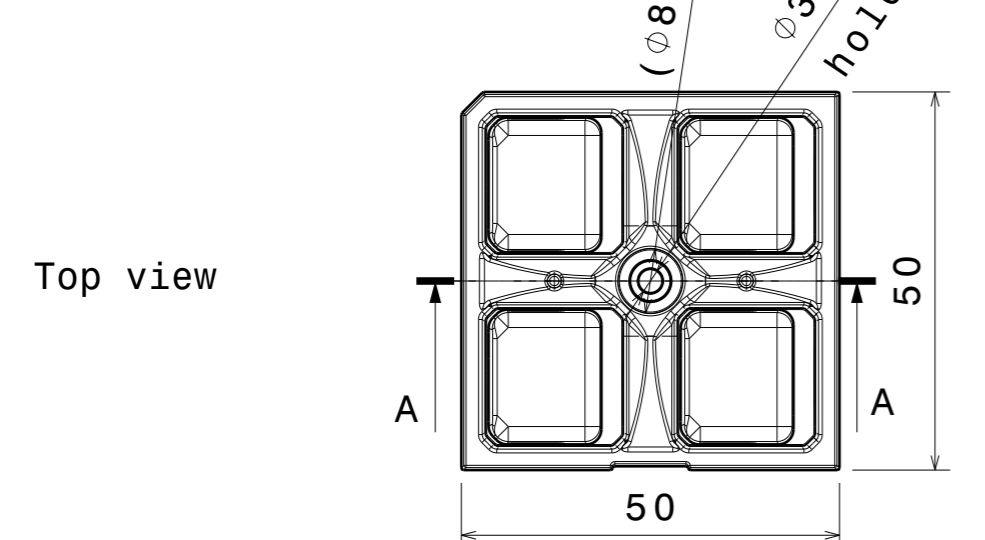
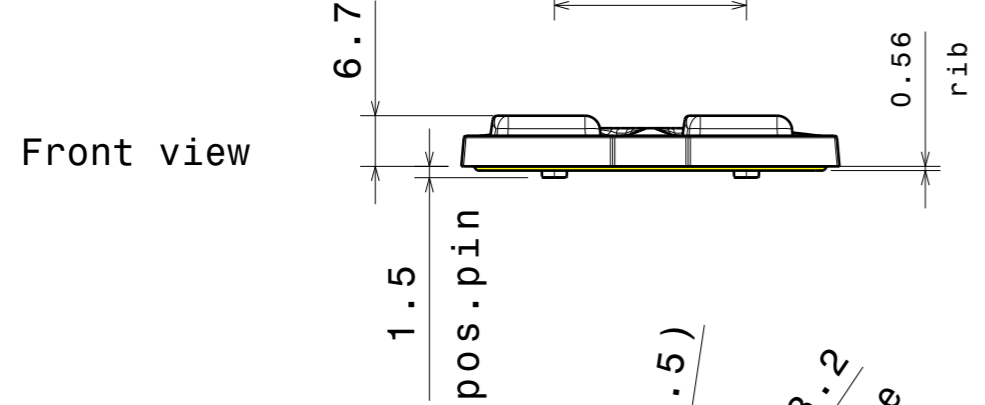
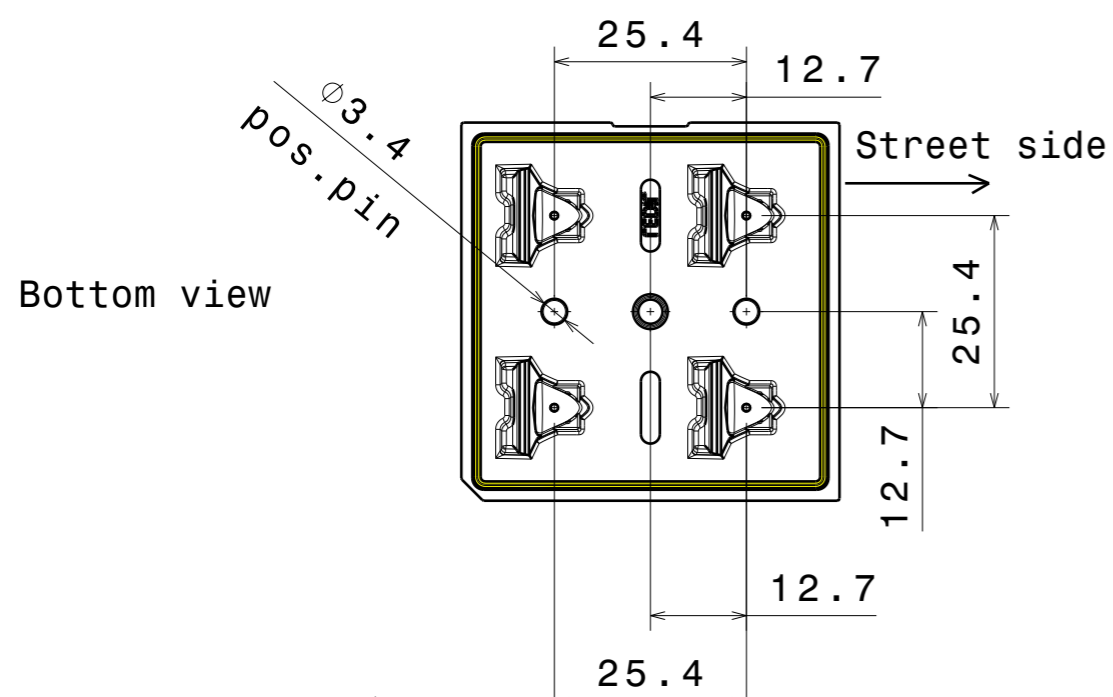
last update 6/3/2017

DETAILS


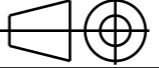
Product Number	FN15180_STRADA-2X2S-T3
Family	Strada
Type	Pack
Color	clear
Diameter	50+50 mm
Height	7,23 mm
Style	rectang
Optic Material	Silicone
Holder Material	
Fastening	screw
Status	production ready
ROHS Comliant	Yes
Date Updated	6/03/2017

OPTICAL PROPERTIES

LED	Viewing Angle	Light Beam	Efficiency	cd/lm	Connector
XP-G2	sim: Asymmetric	Streetlight...	sim: 90 %	-	-
XP-L	sim: Asymmetric	Streetlight...	sim: 90 %	sim: 0.410	-
XP-L HI	sim: Asymmetric	Streetlight...	sim: 90 %	-	-
XHP35 HD	sim: Asymmetric	Streetlight...	sim: 90 %	-	-
XHP35 HI	sim: Asymmetric	Streetlight...	sim: 91 %	-	-
XT-E	sim: Asymmetric	Streetlight...	sim: 90 %	-	-
XT-E HVW	sim: Asymmetric	Streetlight...	sim: 90 %	-	-
XQ-E HI	sim: Asymmetric	Streetlight...	sim: 90 %	-	-
XB-D	sim: Asymmetric	Streetlight...	sim: 89 %	-	-
XP-G3	sim: Asym	Streetlight...	sim: 88 %	sim: 0.430	-
LUXEON TX	sim: Asymmetric	Streetlight...	sim: 90 %	-	-
NVSxx19B/NVSxx19C	sim: Asymmetric	Streetlight...	sim: 89 %	-	-
Oslog Square PC	sim: Asymmetric	Streetlight...	sim: 90 %	-	-



Section view C-C
Scale: 1:1

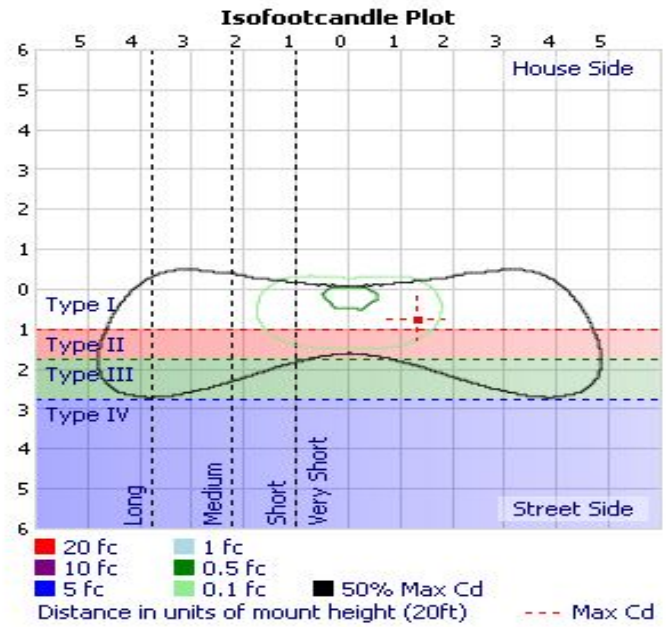
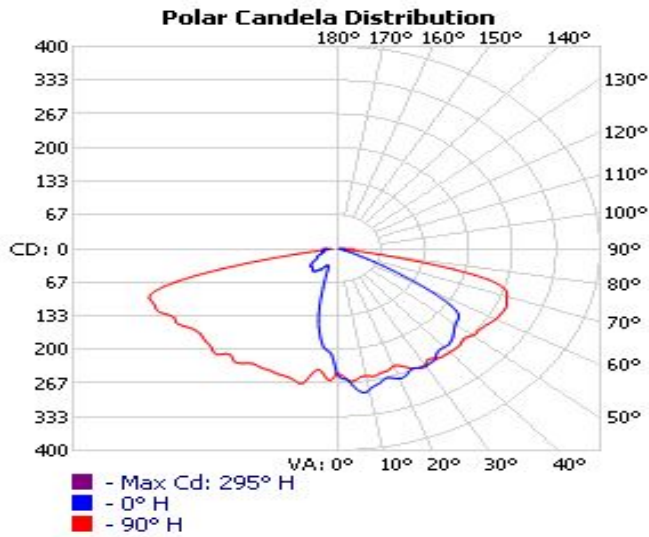
INDEX	PART NO	DESCRIPTION	MATERIAL	COLOUR
1	FN15180	STRADA-2X2S-T3	Optical grade LSR / PA66GF30	Optic clear, Frame Black
Tolerances if not otherwise shown According to DIN ISO 2768-1 Linear measures: up to 30mm class M, otherwise class C According to DIN ISO 2768-2 Form and position: class L		 Ledil Oy Salorankatu 10 FIN 24240 SALO Finland		
THIRD ANGLE PROJECTION: 		DRAWING TITLE FN15180_STRADA-2X2S-T3		
This drawing is the property of LEDiL Oy. It may not be reproduced, copied or communicated without a written agreement with LEDiL Oy.		SIZE A3	PART NUMBER FN15180	
		SCALE 1:1	WEIGHT - g	SHEET 1/1

MANUFACTURER:

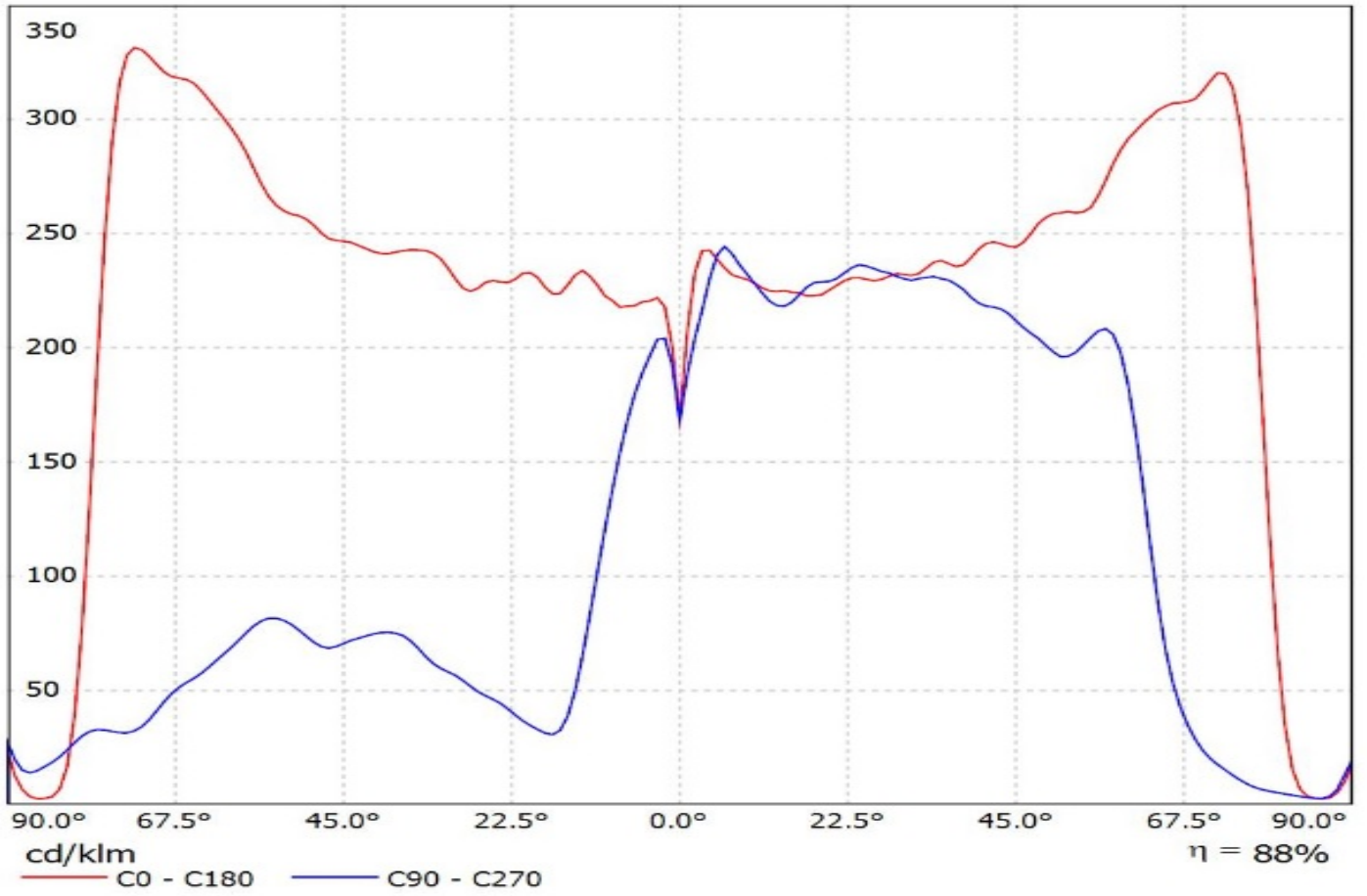
TEST #: LEDIL SIMULATION
DESCRIPTION: FN15180_STRADA-2X2S-T3_XHP35_SIMULATED
LAMP: 1000LM
LAMP OUTPUT: 1 LAMP, RATED LUMENS/LAMP: 1000
INPUT WATTAGE: 1
LUMINOUS OPENING: RECTANGLE W/LUMINOUS SIDES (L: 0.01M, W: 0.01M, H: 0.01M)
MAX CD: 397.0 AT HORIZONTAL: 295°, VERTICAL: 69°
CUTOFF CLASS: SEMICUTOFF
ROADWAY CLASS: MEDIUM, TYPE III
EFFICIENCY: 90.4%

No
Photo
Available

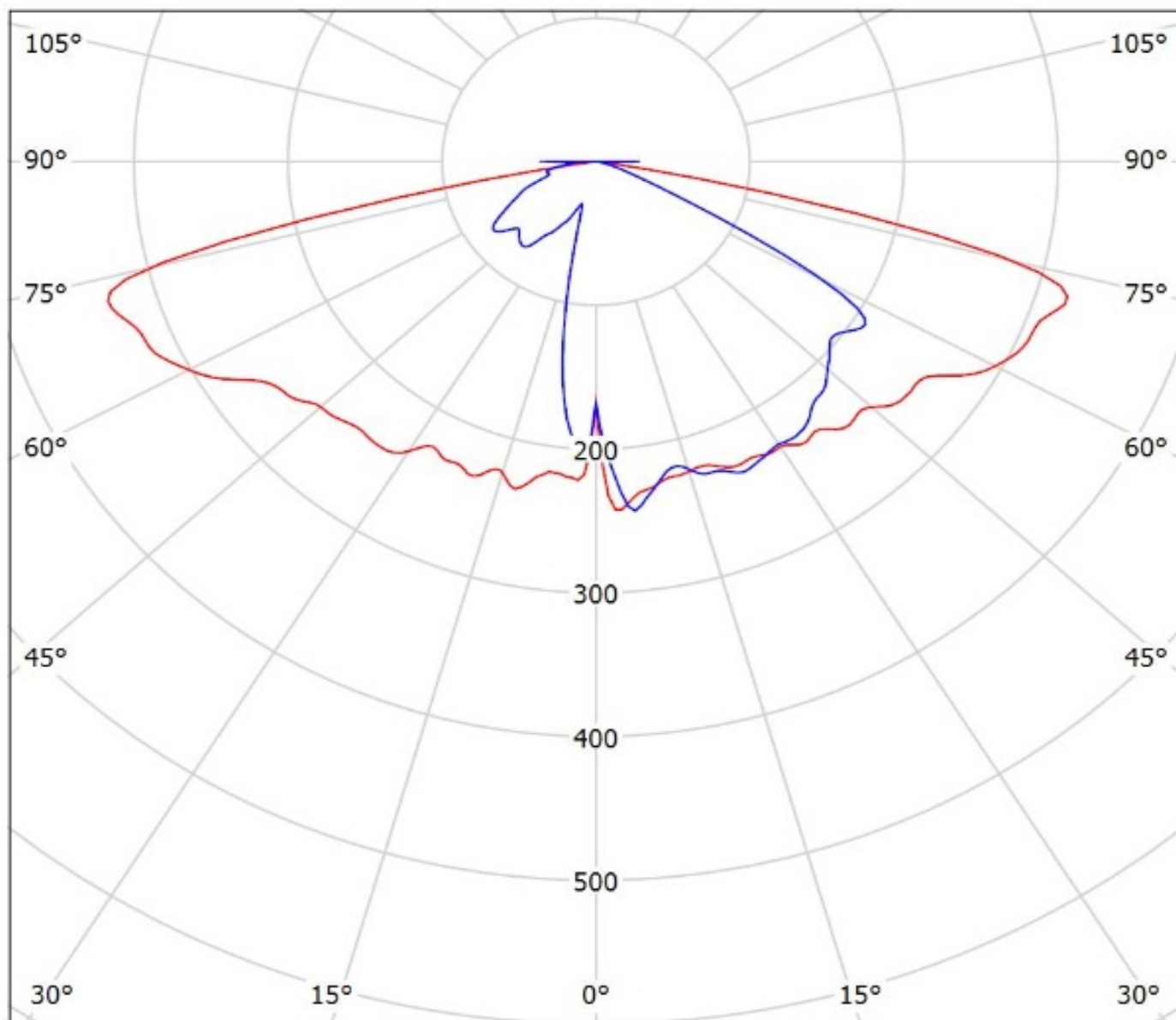
SEE REPORT NOTES **



Luminaire: Ledil Oy FN15180_STRADA-2X2S-T3_(XP-G3)_SIMULATED
Lamps: 1 x Cree XP-G3



Luminaire: Ledil Oy FN15180_STRADA-2X2S-T3_(XP-G3)_SIMULATED
Lamps: 1 x Cree XP-G3



cd/klm
— C0 - C180 — C90 - C270

$\eta = 88\%$

NOTE: The typical divergence will be changed by different color, chip size and chip position tolerance. The typical total divergence is the full angle measured where the luminous intensity is half of the peak value.