



PRODUCT DATASHEET

Lena series

last update 31/10/2016

DETAILS

Product Number	CN13161_LENA-WAS
Family	Lena
Type	RefPack
Color	metal
Diameter	111 mm
Height	37,1 mm
Style	round
Optic Material	
Holder Material	
Fastening	screw, socket
Status	production ready
ROHS Compliant	Yes
Date Updated	31/10/2016



OPTICAL PROPERTIES

LED	Viewing Angle	Light Beam	Efficiency	cd/lm	Connector
BXRA RS	Asymmetric deg	Asymmetric	80 %	0.900	-

D

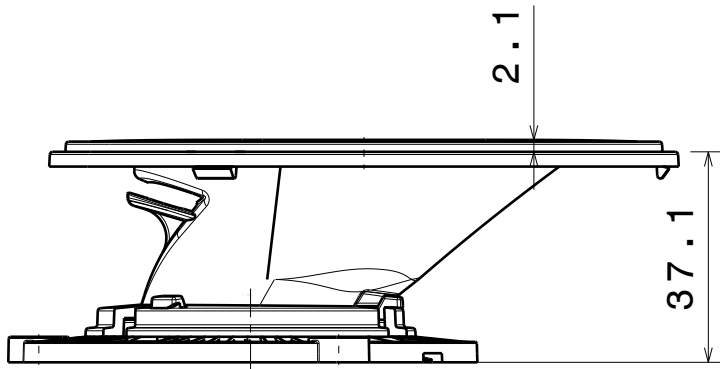
C

B

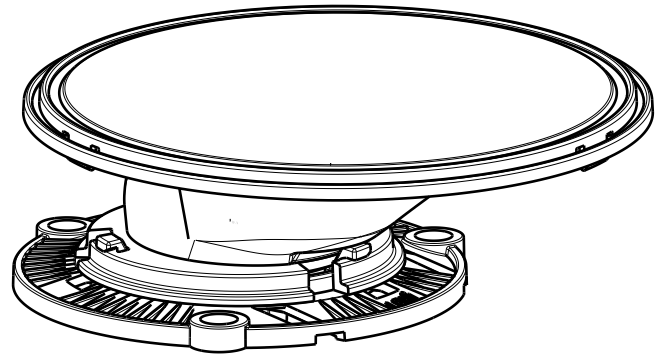
A

4

4



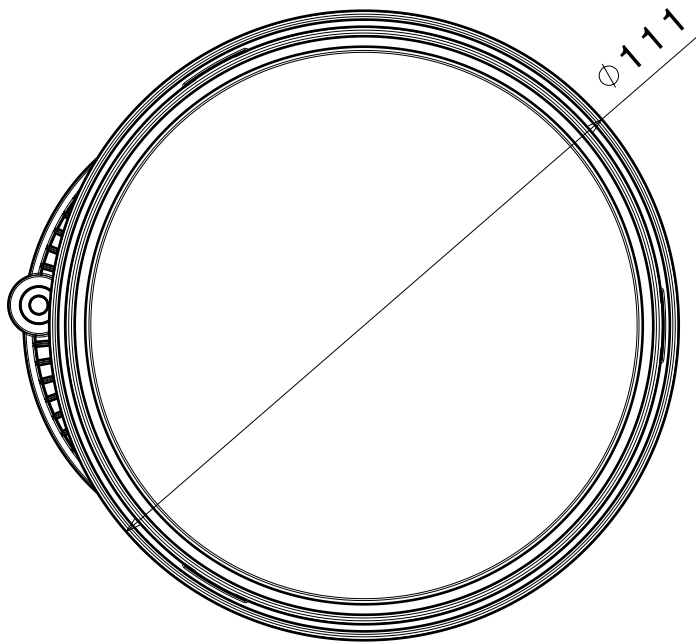
Front view



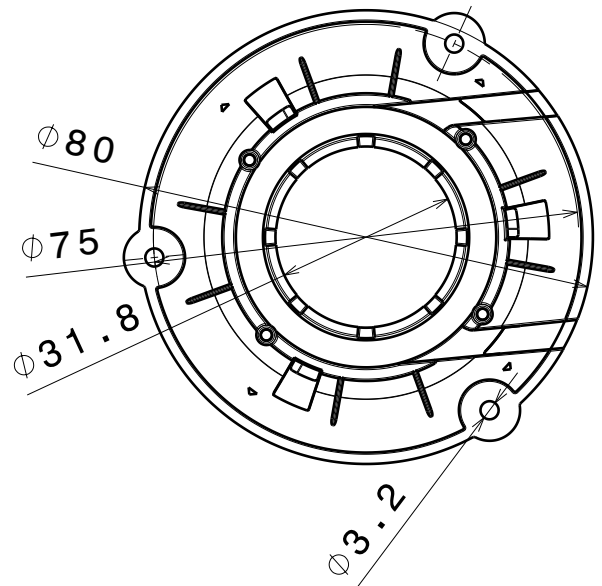
Isometric view

3

3



Top view



Materials

2

2

Note: Using additional sublens add
2,1mm to total height.

Reflector: PC
Base part: PC
Sublens: PC

1

1

This drawing is our property.
It can't be reproduced
or communicated without
our written agreement.



Ledil Oy
Salorankatu 10
FIN 24240 SALO
Finland

DRAWING TITLE Mechanical drawing

DRAWN BY
as

DATE
26.9.2012

LENA-WAS

CHECKED BY
VS

DATE
-

SIZE
A4

PART NUMBER

REV
001

DESIGNED BY
-

DATE
-

SCALE

1:4

WEIGHT

- mg

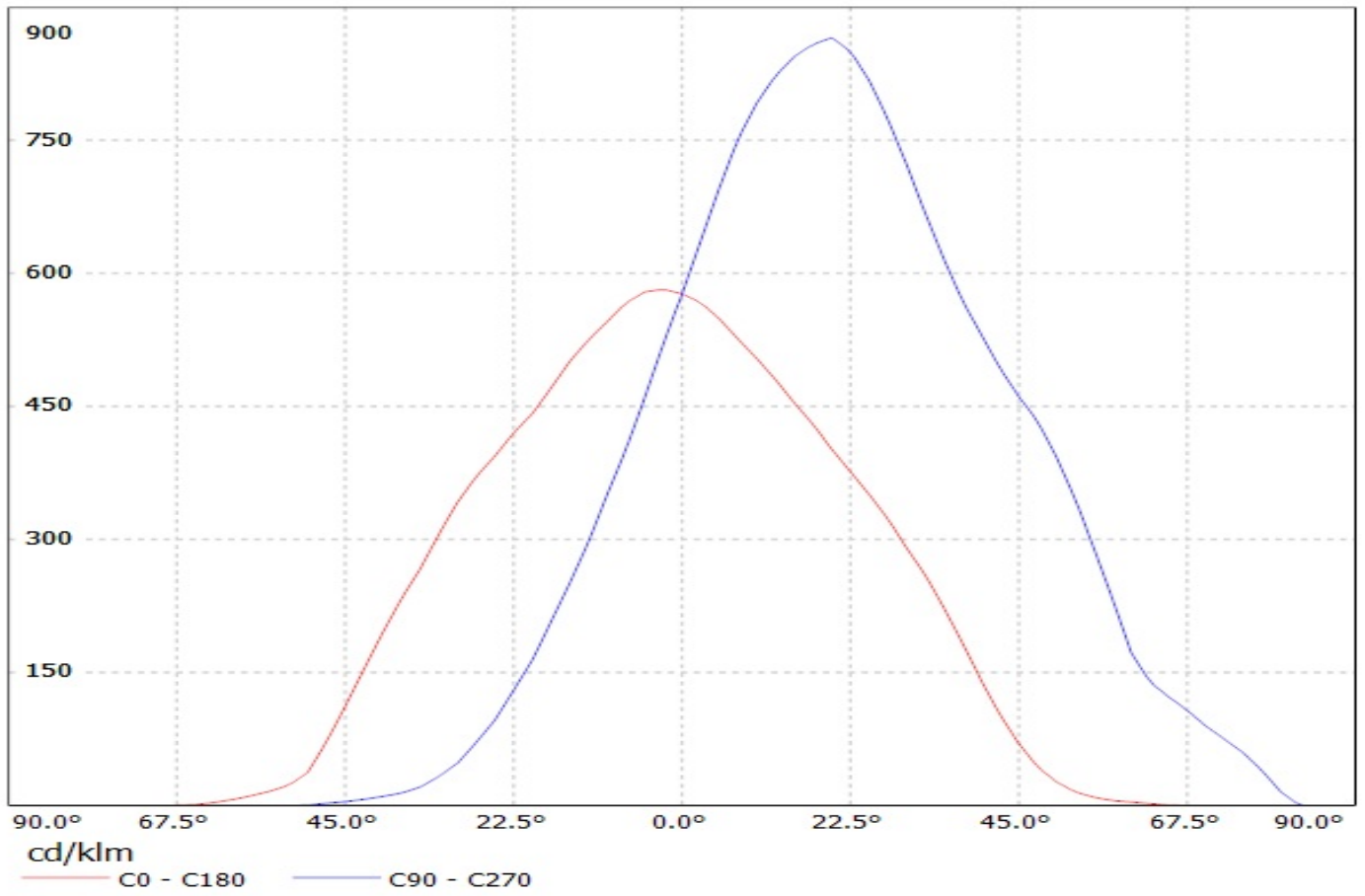
SHEET

1/1

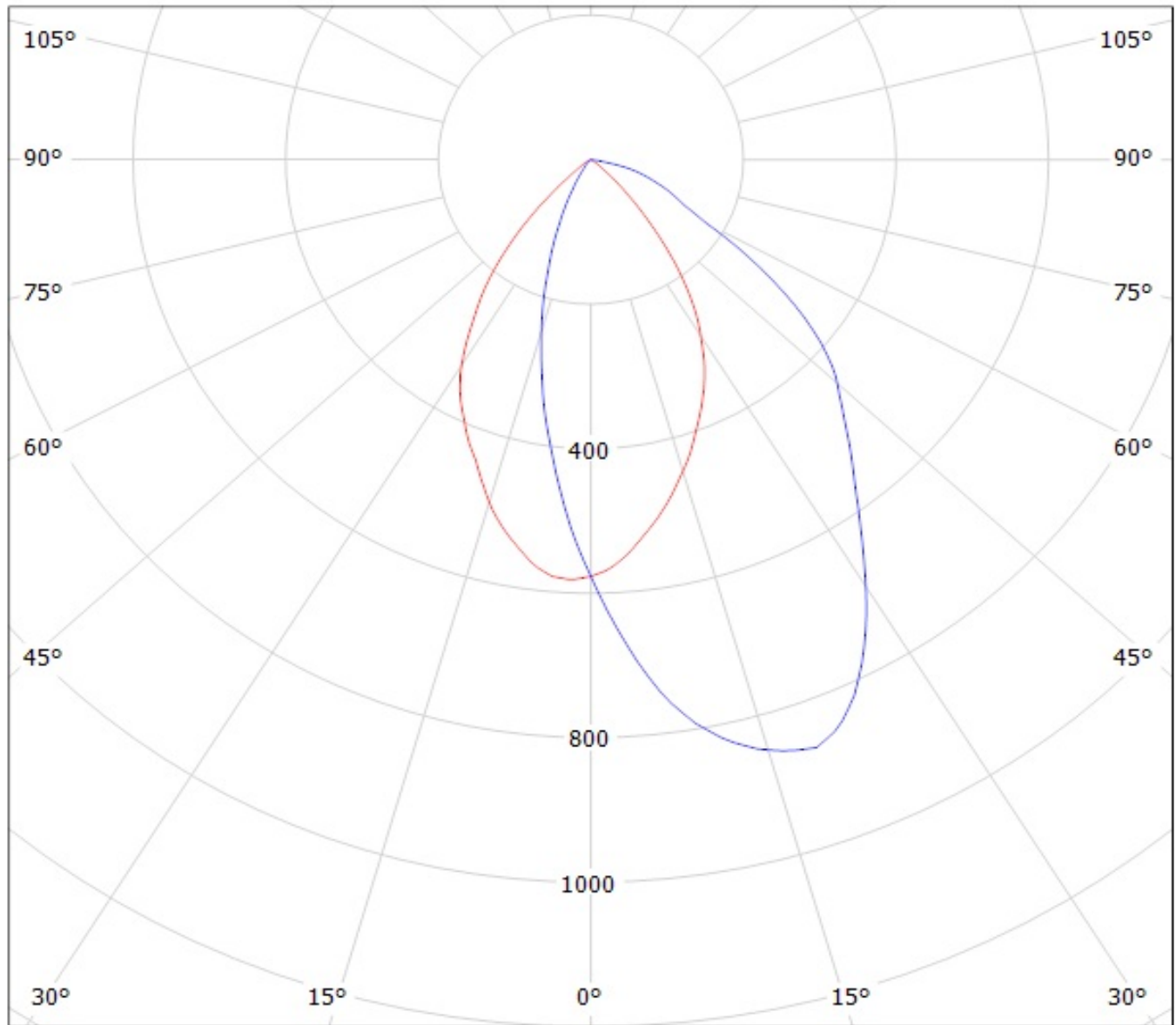
D

A

Luminaire: Ledil Oy CN13161_LENA-WAS (Bridgelux RS 591lm @ 250mA) Efficiency=80%
Lamps: 1 x Bridgelux RS 591lm @ 250mA



Luminaire: Ledil Oy CN13161_LENA-WAS (Bridgelux RS 591lm @ 250mA) Efficiency=80%
Lamps: 1 x Bridgelux RS 591lm @ 250mA



cd/klm

— C0 - C180

— C90 - C270

NOTE: The typical divergence will be changed by different color, chip size and chip position tolerance. The typical total divergence is the full angle measured where the luminous intensity is half of the peak value.