

NOTES:

- 1. MATERIAL-
BACKSHELLS - ZINC DIECAST
PULL - MOLDED PLATIC
- 2. PLUG MATES TO RECEPTACLE 75586 SERIES, AND EMI HOUSING ASSY, 74548-0100
- 3. THIS PRODUCT MEETS THE RESTRICTION OF HAZARDOUS SUBSTANCES IN ELECTRICAL AND ELECTRONIC EQUIPMENT (RoHS) DIRECTIVE (2002/95/EC)

ENTER DESCRIPTION EC NO: USY2009-0104 DRWN: JERWIN CHKD: BSCHOESTER APPR: DDOYE	DESCRIPTION A	QUALITY SYMBOLS	GENERAL TOLERANCES (UNLESS SPECIFIED)		DIMENSION STYLE		SCALE	DESIGN UNITS	THIRD ANGLE PROJECTION
		▼=0 ∇=0	mm	INCH	MM/IN	1:1	INCH		
		4 PLACES ± --- ± --- 3 PLACES ± --- ± --- 2 PLACES ± 0.13 ± --- 1 PLACE ± 0.25 ± ---	ANGULAR ±1/2°		DRAWN BY: JERWIN DATE: 2008/01/15 CHECKED BY: BSCHOESTER DATE: 2008/01/15 APPROVED BY: DDOYE DATE: 2008/01/15	TITLE			
		DRAFT WHERE APPLICABLE MUST REMAIN WITHIN DIMENSIONS		MATERIAL NO.	DOCUMENT NO.	SHEET NO.			
		SIZE B	THIS DRAWING CONTAINS INFORMATION THAT IS PROPRIETARY TO MOLEX INCORPORATED AND SHOULD NOT BE USED WITHOUT WRITTEN PERMISSION						

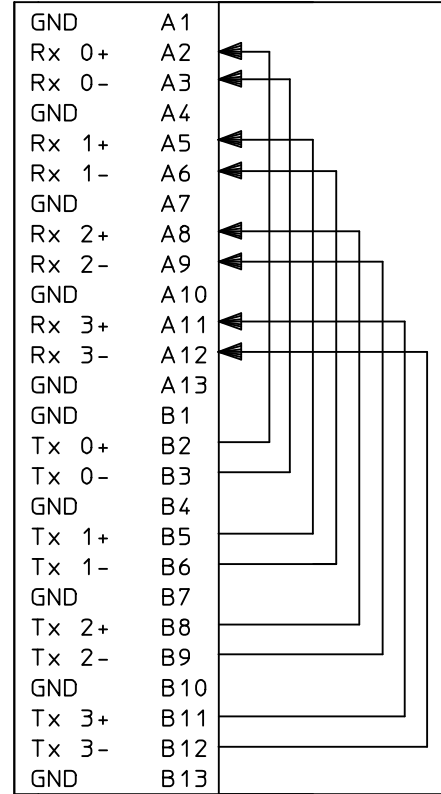
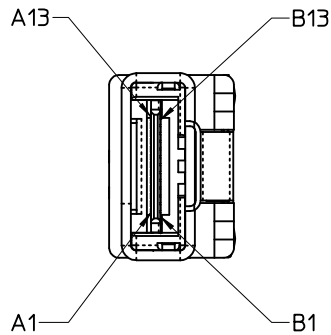
LOOPBACK ASSY
KEY 2,4,6

molex MOLEX INCORPORATED

745470399

SD-74547-0399

1 OF 2



ENTER DESCRIPTION EC NO: USY2009-0104 DRWN: JERWIN 2008/09/17 CHKD: BSCHOESTER 2008/09/29 APPR: DDOYE 2008/09/30	QUALITY SYMBOLS ▽=0 ▽=0	GENERAL TOLERANCES (UNLESS SPECIFIED)		DIMENSION STYLE MM/IN	SCALE 1:1	DESIGN UNITS INCH	THIRD ANGLE PROJECTION	
		4 PLACES ± --- ± ---	DRAWN BY DATE JERWIN 2008/01/15	TITLE LOOPBACK ASSY KEY 2,4,6				
		3 PLACES ± --- ± ---	CHECKED BY DATE BSCHOESTER 2008/01/15					
		2 PLACES ± 0.13 ± ---	APPROVED BY DATE DDOYE 2008/01/15	MATERIAL NO. 745470399		DOCUMENT NO. SD-74547-0399		SHEET NO. 2 OF 2
1 PLACE ± 0.25 ± ---	ANGULAR ± 1/2°	DRAFT WHERE APPLICABLE MUST REMAIN WITHIN DIMENSIONS		THIS DRAWING CONTAINS INFORMATION THAT IS PROPRIETARY TO MOLEX INCORPORATED AND SHOULD NOT BE USED WITHOUT WRITTEN PERMISSION				