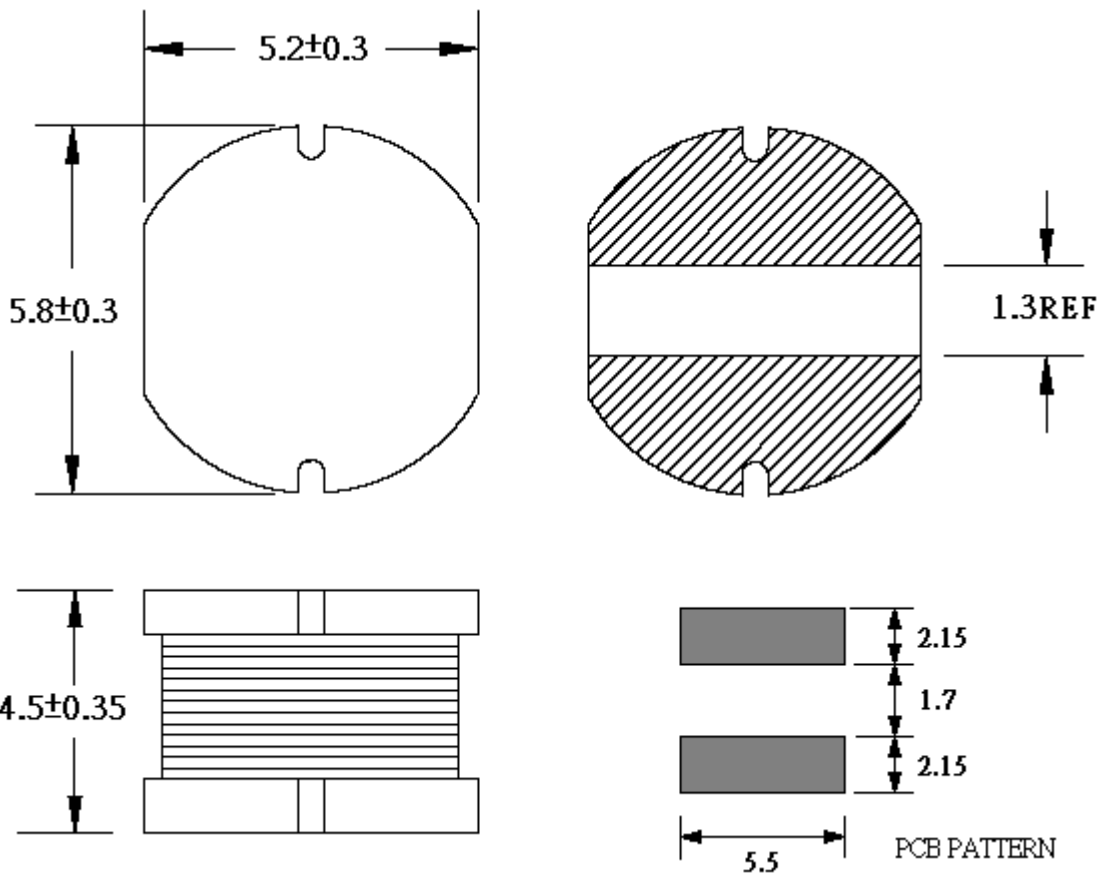


# TCK-047



All dimensions in mm

## SPECIFICATIONS

|               |   |
|---------------|---|
| Inductance    | $10 \mu\text{H} \pm 20\%$   |
|               | Test Condition: 1KHz/1000mV<br>Measurement Instrument: HP 4263B LCR Meter |
| Impedance     | DCR(Max): $100 \text{ m}\Omega$   |
|               | Measurement Instrument: Agilent 34401A Meter                              |
| Rated current | IDC(Max): 1.44A   |
|               | Measurement Instrument: Agilent 34401A Meter                              |