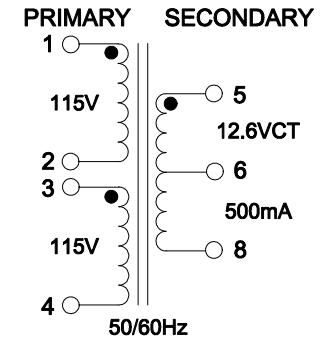
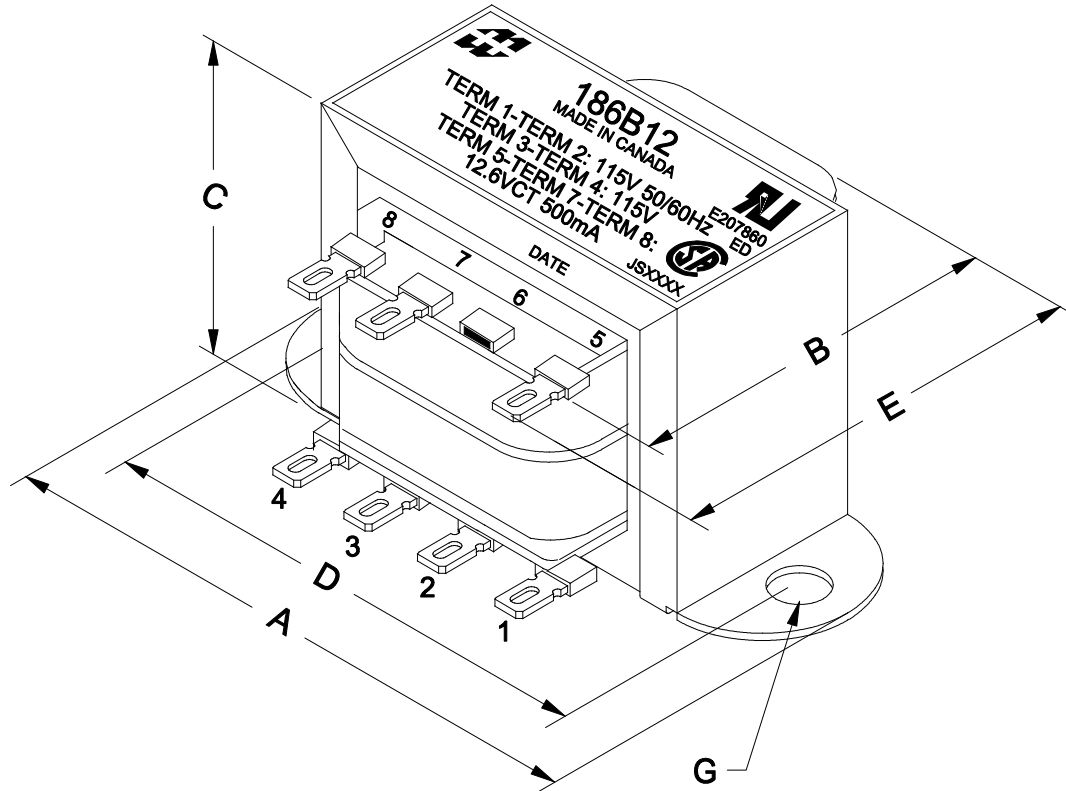


DIMENSIONS:	
A	2.375" ±0.063
B	1.300" ±0.125
C	1.433" ±0.063
D	2.000" ±0.063
E	1.659" ±0.063
G	0.187" ±0.015



ELECTRICAL DATA:			
TESTS	CONDITIONS	ACCEPTANCE CRITERIA	
Iex	@ 115V, 60Hz, TERM 1 - TERM 2	26.4mA	Max.
Sec. N.L.V	@ 115V, 60Hz, TERM 1 - TERM 2		
	TERM 3 - TERM 4 =	115.0V	±2%
	TERM 5 - TERM 8 =	16.54V	±2%
	TERM 5 - TERM 7 = TERM 7 - TERM 8 =	8.272V	±2%
DCR	@ 20°C, TERM 1 - TERM 2 =	265.9 Ω	±20%
	@ 20°C, TERM 3 - TERM 4 =	322.3 Ω	±20%
	@ 20°C, TERM 5 - TERM 8 =	2.688 Ω	±20%
HIPOT	PRIMARY - SECONDARY	2500V, 60Hz, 1 SEC	

REV.#	REVISION	DATE	HAMMOND ELECTRONIC DIVISION		PH # (519) 886-6181 FAX # (519) 886-9540
0	RELEASED.	09/09/15	MANUFACTURING™		
			DWG. BY: C. ILIE	CHK'D BY:	TITLE: POWER TRANSFORMER
			DATE: 09/09/15	APP'D. BY:	
				DIMENSIONS: IN(X) MM( )	DWG. NO. 186B12