



Dynamic Loudspeaker

15.0×6.0×2.5 mm

CR1506L025YN8

Revision

Date	Version	Status	Changes	Approver
2018/12/24	V0.1	Draft	Initial release	AX
2019/1/2	V0.2	Draft	Add DC Impedance	AX
2019/1/10	V0.3	Draft	Add SPL and THD curve	AX

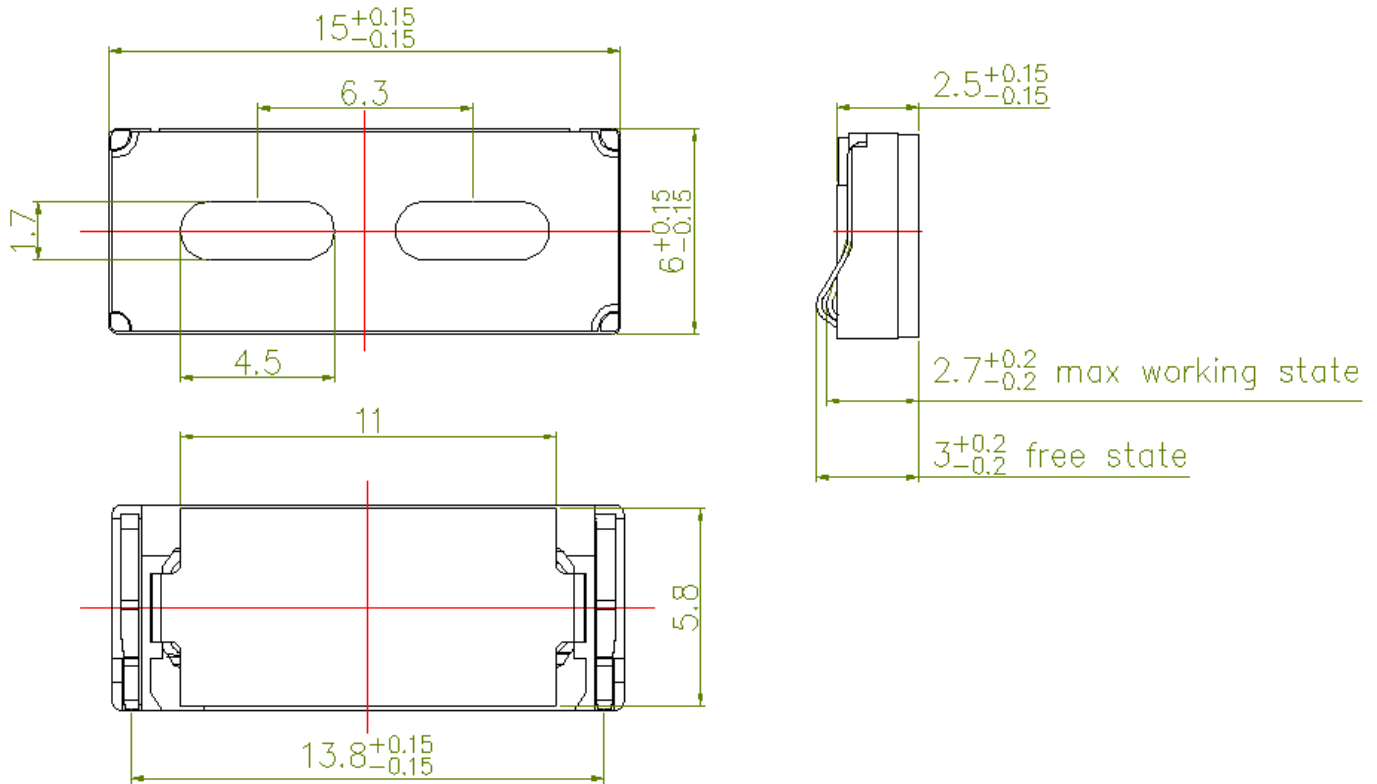
Specifications

Parameter	Conditions/Description	Values	Units
Rated Input Power	in 1cc closed box	0.5	W
Max Input Power	in 1cc closed box	0.7	W
Rated Impedance	1V input	8.0±15%	Ω
DC Impedance		7.0±0.7	Ω
Sound Pressure Level	0.894V/0.1m at 2000 Hz AVG, in free	81.0±3	dB
Resonant Frequency (Fo)	in 1.0cc closed box In Free air	950±20% 700±20%	Hz Hz
Frequency Range		F0-20k	Hz
Distortion	at 1K Hz, input 0.5W, in 1cc box	< 10%	-
Magnet	NdFeB		
Buzz, Rattle, etc.	must be normal at sine wave between Fo ~ 20 kHz, in 3cc box	2.1	V
Polarity	cone will move forward with positive dc current to " + " terminal		
Weight		1.5	g
Operating		-30~+70	°C
Storage Temperature		-40-+80	°C
WaterProof	1.5m,60min	IPX8	

Notes: All specifications measured at 5~35°C, humidity at 45~85%, under 86~106 kPa pressure, unless otherwise noted.

MECHANICAL DRAWING

Units: mm

Tolerance: $\pm 0.15\text{mm}$ 

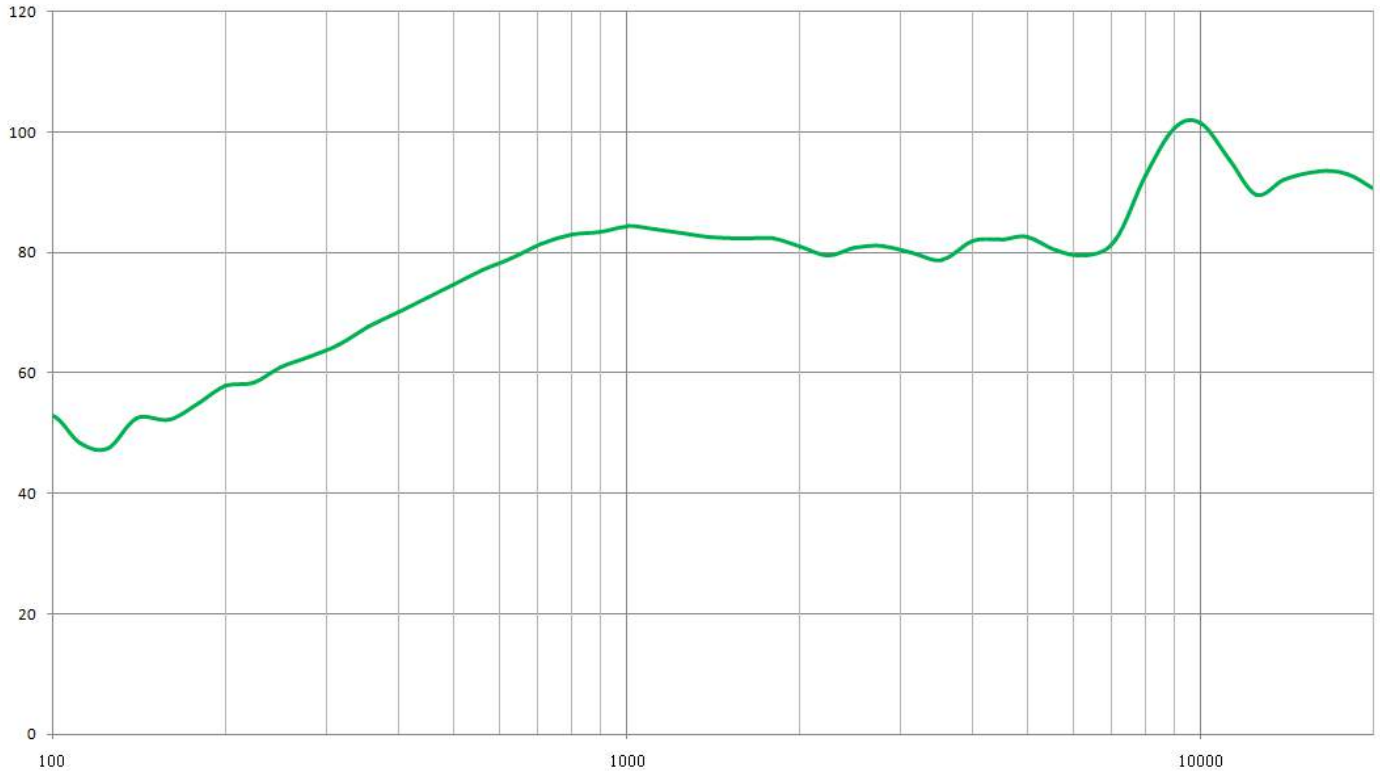
CONSTRUCTION DETAIL

7	前盖 Front Cover	PPA+SPCC	1	
6	膜片 DIAPHRAGM	PEEK	1	
5	音圈 VOICE COIL	COPPER WIRE	1	
4	极片 POLE PIECE	SPCC	3	
3	磁钢 MAGNET	NdFeB	3	
2	U铁 U YOKE	SPCC	1	
1	主架 FRAME	PPA	1	
编号 No.	零件名称 PART NAME	材料 MATERIAL	数量 Q'TY	备注 REMARK

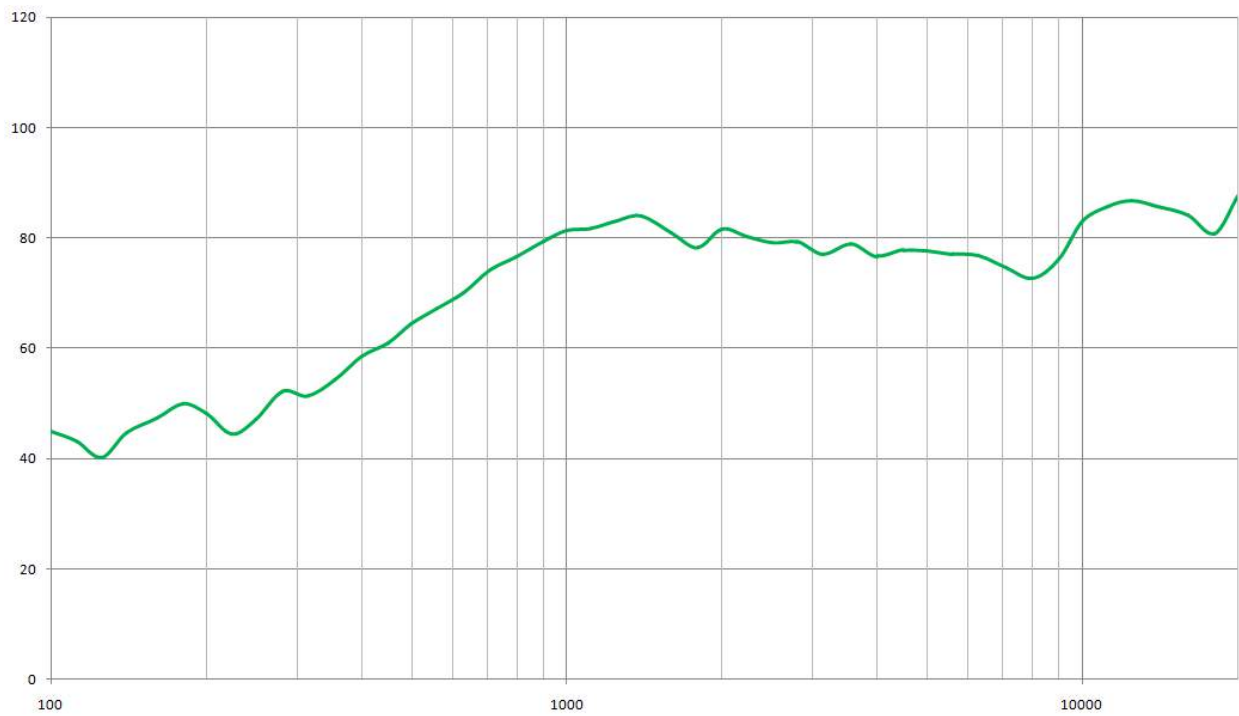
RESPONSE CURVES

Frequency Response Curve

0.1W/0.1M in free air

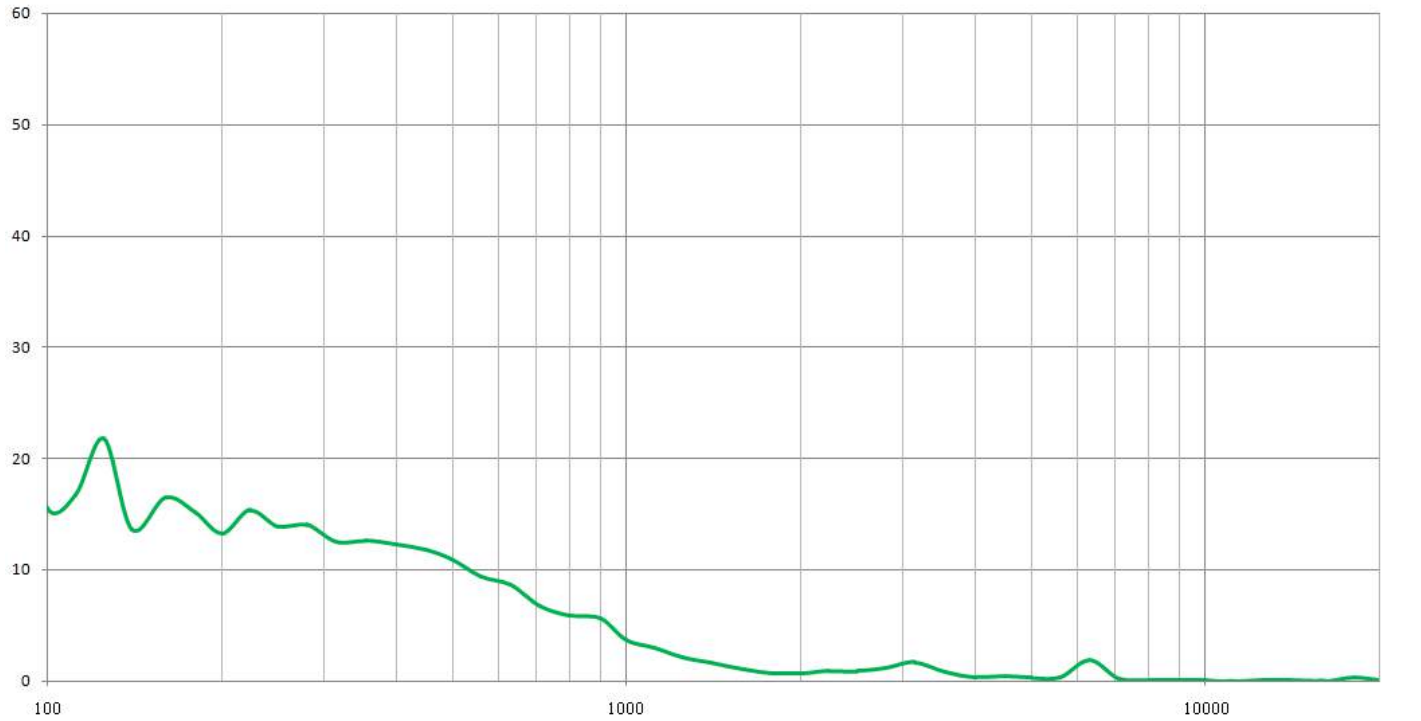


0.1W/0.1M in 1cc box

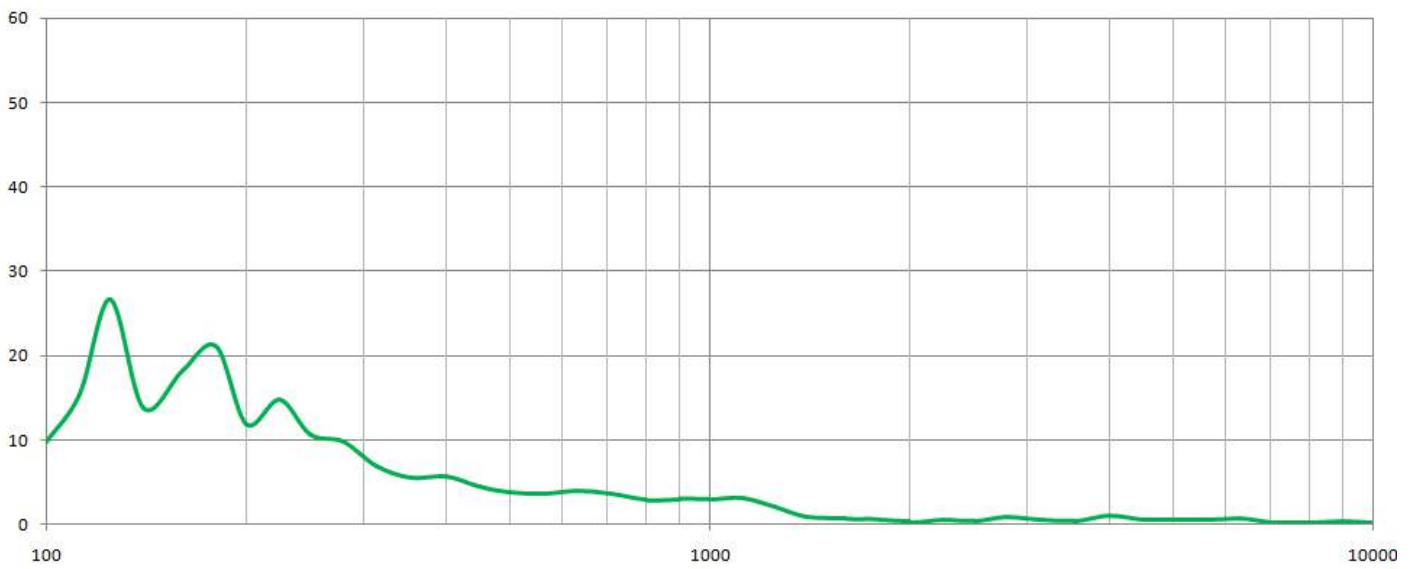


Total Harmonic Distortion Curve

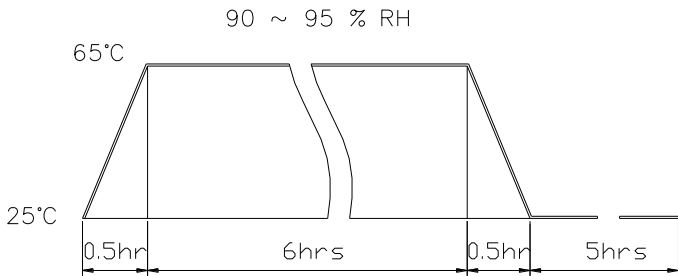
0.1W/0.1M in free air



0.1W/0.1M in 1cc box



RELIABILITY TEST

1	Reliability Test Performance	After any following test, parts should conform to original performance within ± 3 dB tested with Rated Power, after 6 hours of recovery period.
2	High Temperature Test	96 hours at +70°C
3	Low Temperature Test	96 hours at -30°C
4	Humidity Test	96 hours at +30°C \pm 3°C, 92-95% RH
5	Temp./Humidity Cycle	<p>The part shall be subjected 5 cycles. One cycle shall be 6 hours and consist of</p> 
6	Vibration Test	<p>Frequency: 10~55~10Hz Oct/min Amplitude: 1.5mm Duration: 2 hours each of 3 perpendicular directions</p>
7	Drop Test	Drop the speaker contained in normal box onto the surface of 40mm thick board 10 times from the height of 75cm
8	Operation Life Test	Must perform normal with program Pink-Noise source at Rated Power for 96 Hours
9	Termination Strength	Apply 3.0N(0.306kg) to each terminal in horizontal direction for 30 seconds; Apply 2.0N(0.204kg) to each terminal in vertical direction for 30 seconds;

MEASURING METHOD

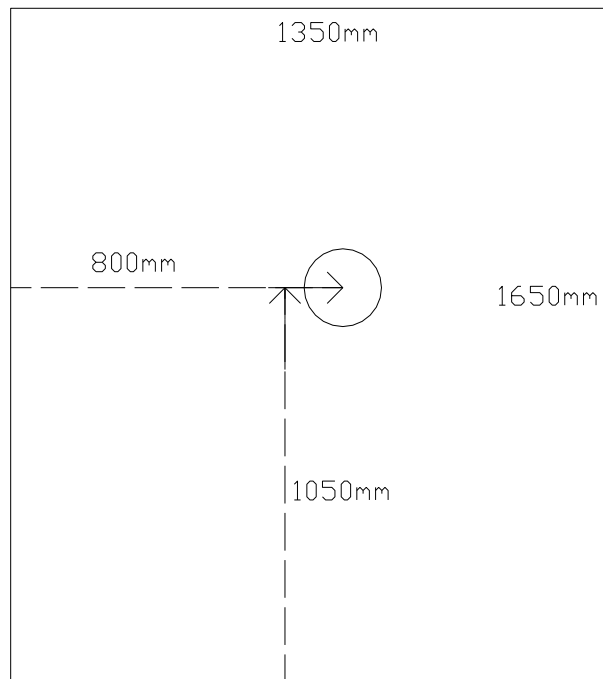


Fig. 1 Block Diagram for Measurement Method

Standard test condition of speaker

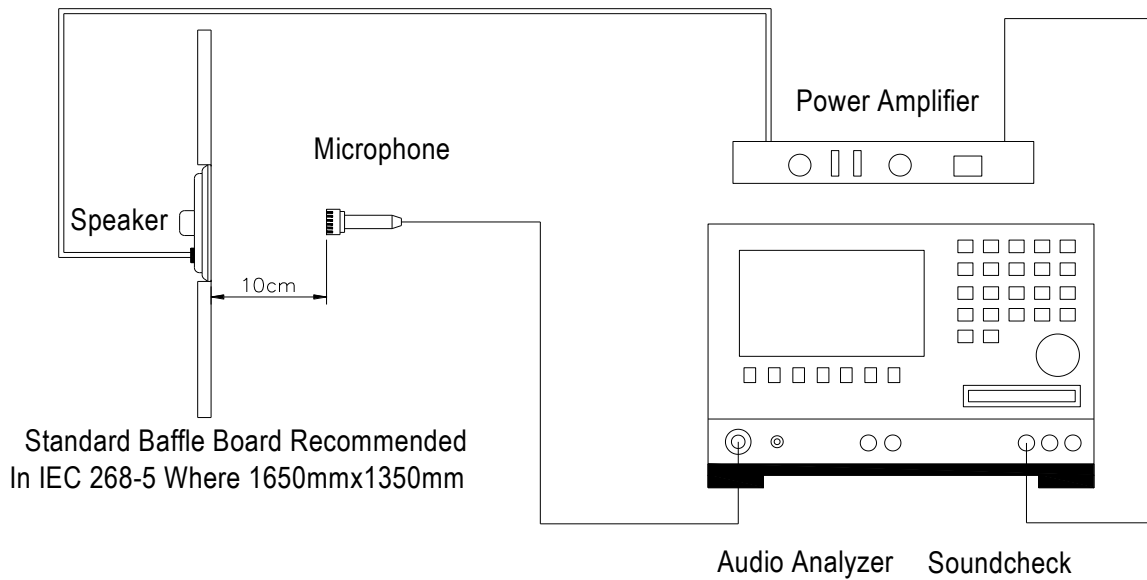


Fig. 2 Speaker Test Condition

PACKAGING

units: mm

每盘 100 个 100pcs of speaker in each tray

每箱 20 盘 20 trays in one carton

总计:2000 个 / 1 箱 Total:2000 pcs / 1 carton

毛重: 4.5KGS Gross Weight:4.5KGS

净重: 3.0KGS Net Weight: 3.0KGS

