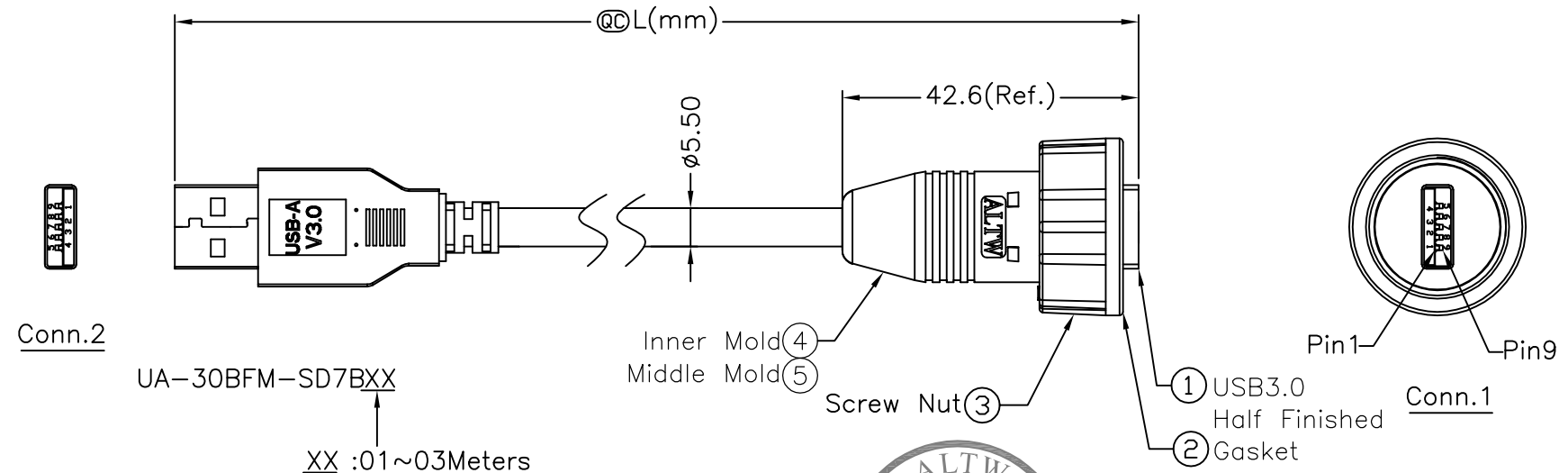


5	6	7	8
REV. A	ECN NO. Release	DATE 2012/12/06	SIGN Kevin Wang
DESCRIPTION			

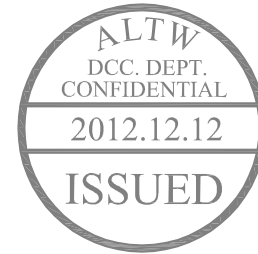


Conn.2

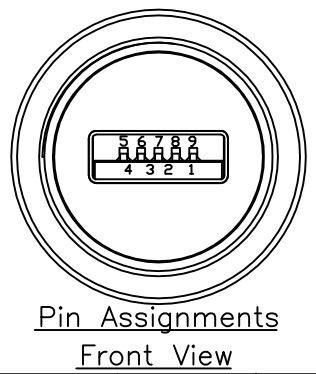
UA-30BFM-SD7BXX

XX :01~03Meters
 01 :01Meter
 03 :03Meters

Cable Length(L):01~03Meters



Shield	Braid	編織	Shield
9	Orange 28AWG	橙	9
8	Purple 28AWG	紫	8
7	Drain 28AWG		7
6	Yellow 28AWG	黃	6
5	Blue 28AWG	藍	5
	Drain 28AWG		
4	Black 28AWG	黑	4
3	Green 28AWG	綠	3
2	White 28AWG	白	2
1	Red 28AWG	紅	1
Conn.1	Wire Color		Conn.2



- Note:
- * @D Important Dimension.
 - * Waterproof Rate: IP67
 - * Jack: USB3.0-A Male Solder
 - * Gasket: EPDM, Black
 - * Screw Nut: Nylon+GF, Black
 - * Cable: USB 3.0, (1P*28#+D+Al/My)*2+1P*28#+2C*28#+F+Al+B, Black, PVC Jacket, UV Resistant, OD=5.5mm
 - * Cable Length Tolerance: 01M:±40mm
02M~03M:±60mm
 - * All of Drain twisted together.

UNIT:mm	TOLERANCE ±0.5mm	TITLE USB 3.0, Cable Screw F Conn M Pin to A Plug	Amphenol LTW 安費諾亮泰企業股份有限公司	ITEM NO	DRAWN BY Kevin Wang	DATE 2012/12/06
SCALE Free	SHEET 1 OF 1	REV. A	SIZE A4	DWG NO UA-30BFM-SD7BXX	CHECKED BY Micky	DATE 2012/12/06
	@C :Inspection Item			CUSTOMER ALTW	APPROVED BY Victor	DATE 2012/12/06

THIS DOCUMENT IS SUBJECT TO CHANGE WITHOUT NOTICE. IT IS CONFIDENTIAL AND A PROPERTY OF Amphenol LTW. DISCLOSURE TO THIRD PARTY HAS TO BE AUTHORIZED BY Amphenol LTW.

F
F
D
C
B
A

1
2
3
4
5
6
7
8