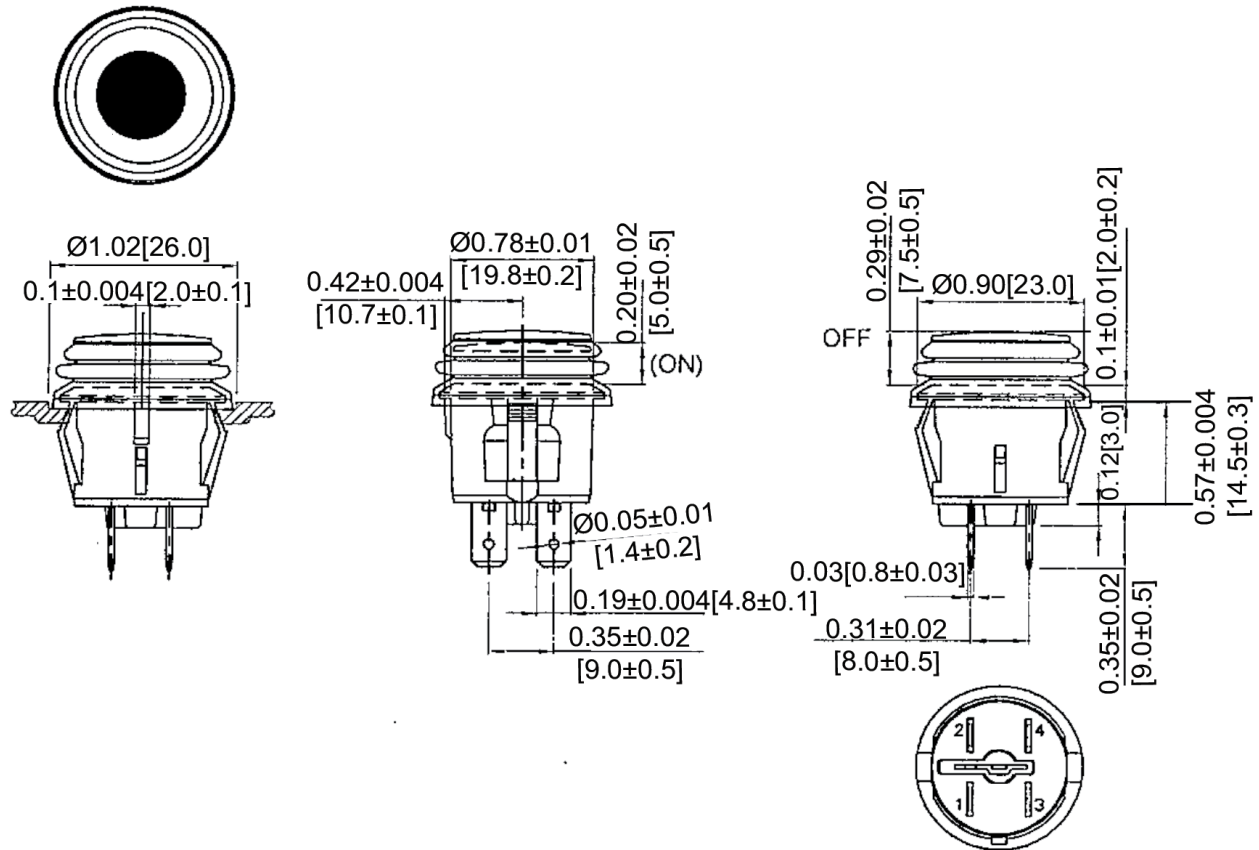
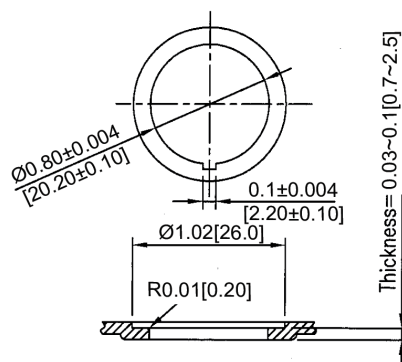


Mechanical Dimensions: Inches [mm]

Tolerances ± 0.012 [0.3] Unless Otherwise Specified

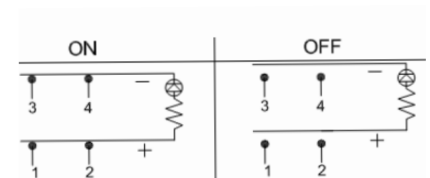


Mounting Hole



Circuit Diagram

4P DPST OFF-ON (LED-D)



Electrical Specifications

Rating	20A 14V DC
Contact Resistance	50m ohm Max.
Insulation Resistance	DC 500V 100M ohm Min
Dielectric Strength	AC 1500V 1 minute
Operation Temperature	-20°C ~ 65°C

Material Specifications

Frame	Black, Nylon 66
Actuator	Yellow Clear, PC
Terminals	Silver Plated, Copper Alloy
Waterproof Rubber	Black, Silicone
LED	Yellow (Dependent)

Push Switch

PB-2A-DC-2-ADL



Rev Date of issue Revision Notes

Designed Approved

A	05-18-2021	Initial Drawing	RC	OF
---	------------	-----------------	----	----