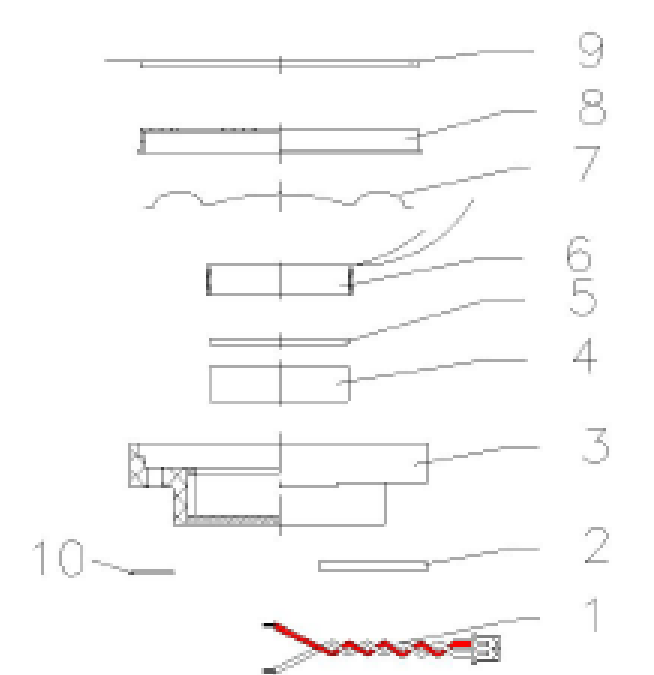
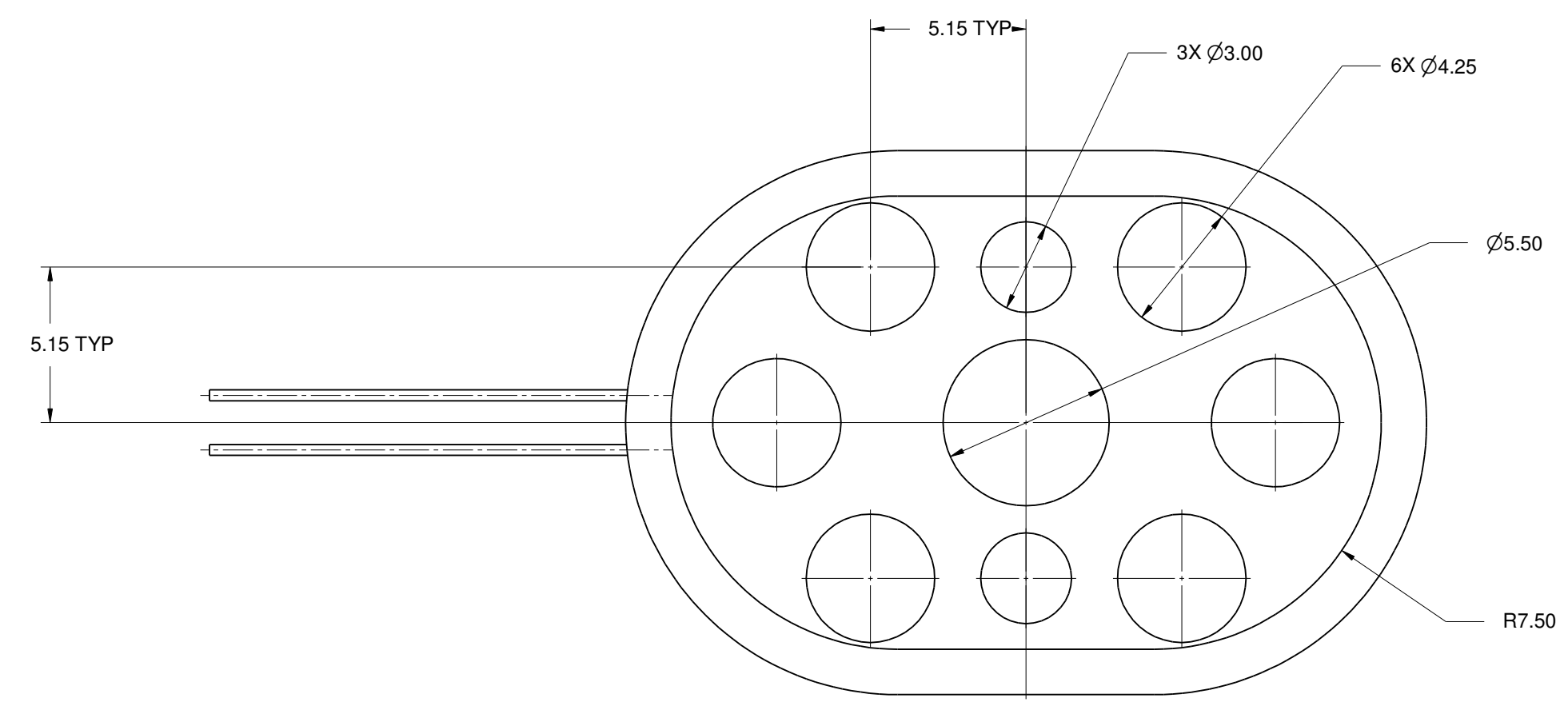
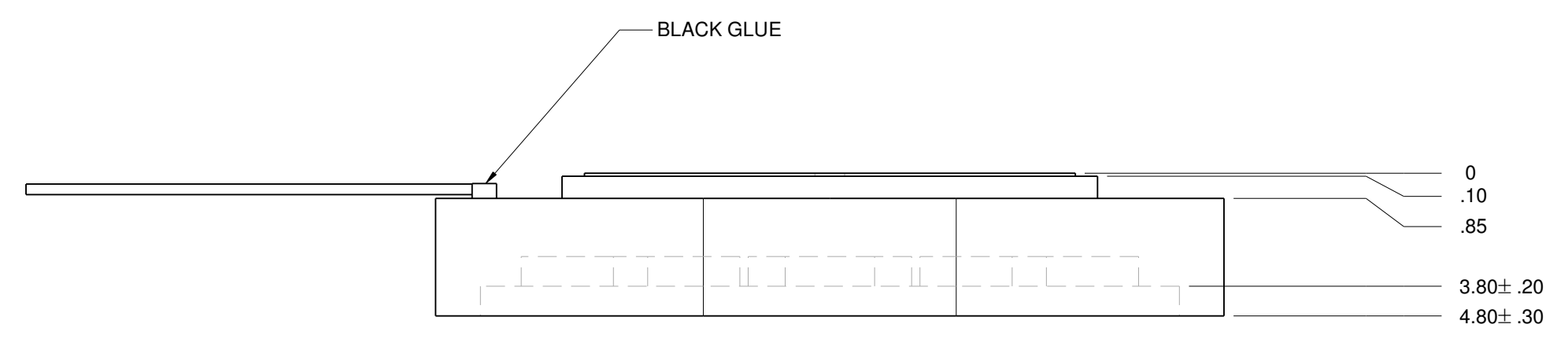
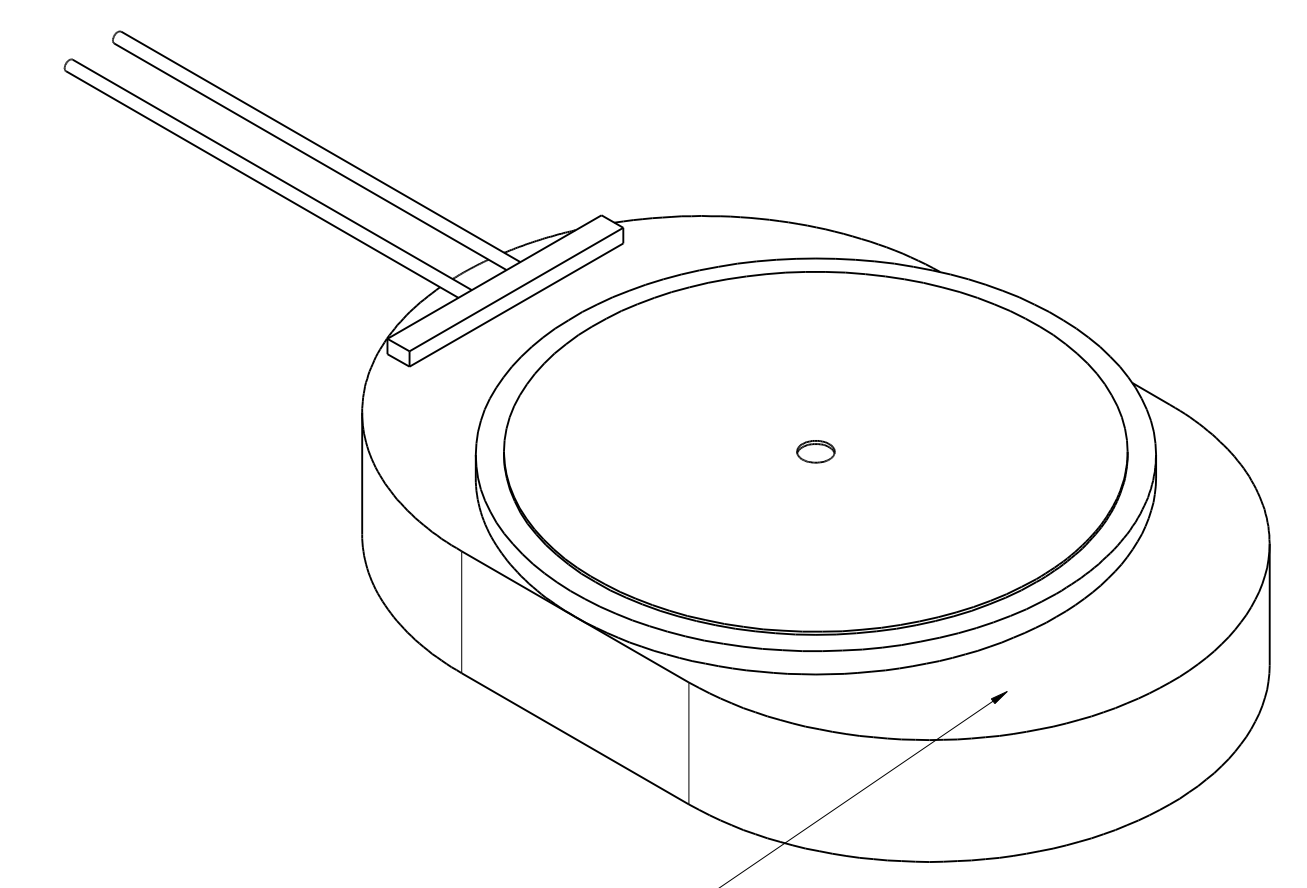
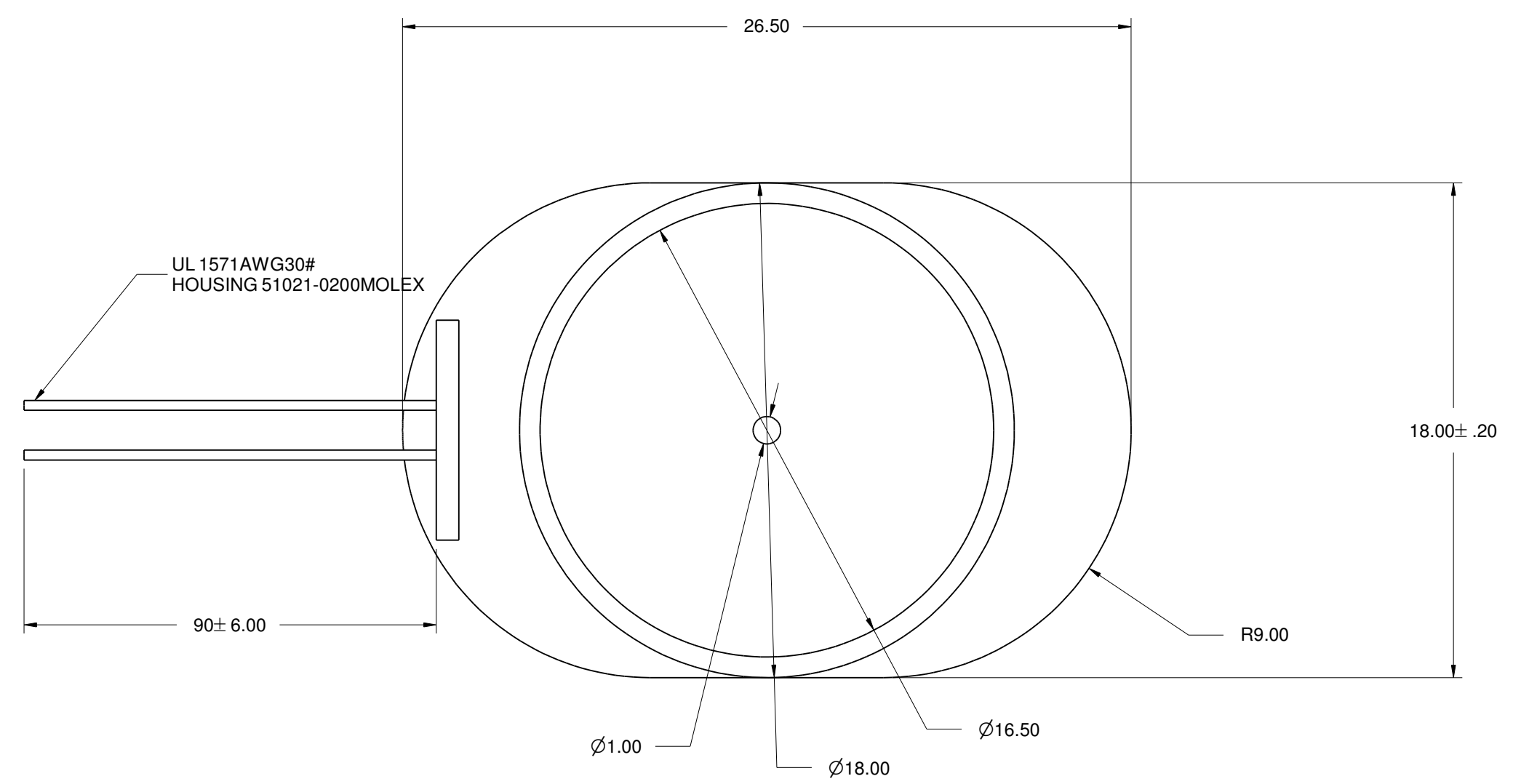


REVISIONS				
ZONE	REV	DESCRIPTION	DATE	APPROVED



No.	Part Name	Material	Quantity
1	Wire (90mm)	UL 1571/AWG30#	2
	Connector	51021-0200Molex	1
2	PCB	FR-4	1
3	Frame	PBT+Nd Fe B+SPCC	1
4	Magnet	Nd Fe B	1
5	Plate	SPCC	1
6	Voice Coil	Cu	1
7	Membrane	PEN	1
8	Cap	SUS	1
9	Gasket	Black Net	1
10	Screen	Black Cloth	1



ALL TOLERANCES +/- .5MM UNLESS NOTED



SIZE	FSCM NO.	DWG NO.	REV
D		SP-2618W	
SCALE	1:1	SHEET	1 OF 1