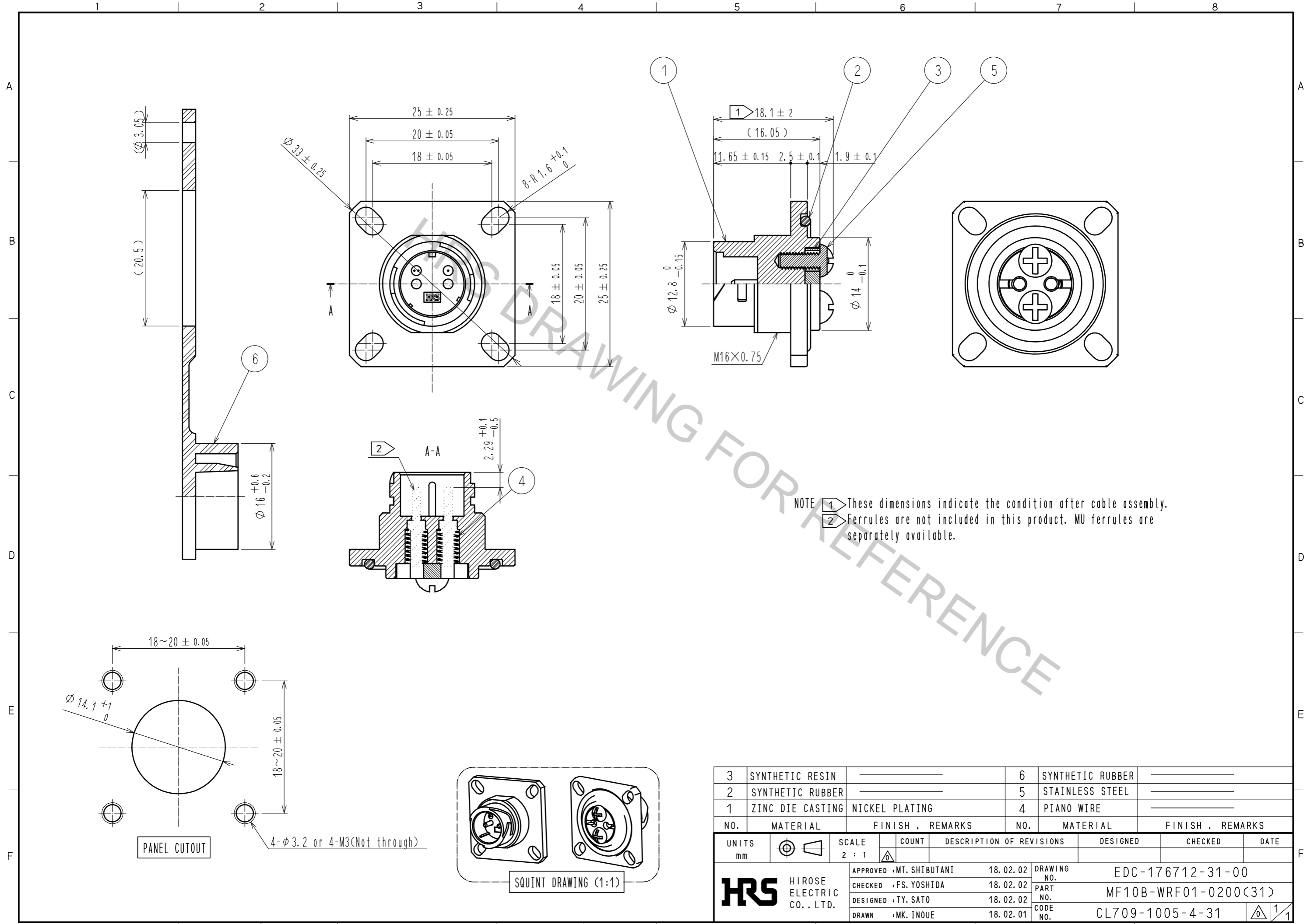


Aug.1.2018 Copyright 2018 HIROSE ELECTRIC CO., LTD. All Rights Reserved.  
 In case that the application demands a high level of reliability, such as automotive,  
 please contact a company representative for further information.



NOTE 1 These dimensions indicate the condition after cable assembly.  
 2 Ferrules are not included in this product. MU ferrules are separately available.

3	SYNTHETIC RESIN		6	SYNTHETIC RUBBER				
2	SYNTHETIC RUBBER		5	STAINLESS STEEL				
1	ZINC DIE CASTING	NICKEL PLATING	4	PIANO WIRE				
NO.	MATERIAL	FINISH . REMARKS	NO.	MATERIAL	FINISH . REMARKS			
UNITS	mm	SCALE	2 : 1	COUNT	DESCRIPTION OF REVISIONS	DESIGNED	CHECKED	DATE
APPROVED : MT. SHIBUTANI		18.02.02	DRAWING NO.		EDC-176712-31-00			
CHECKED : FS. YOSHIDA		18.02.02	PART NO.		MF10B-WRF01-0200(31)			
DESIGNED : TY. SATO		18.02.02	CODE NO.		CL709-1005-4-31			
DRAWN : MK. INOUE		18.02.01						