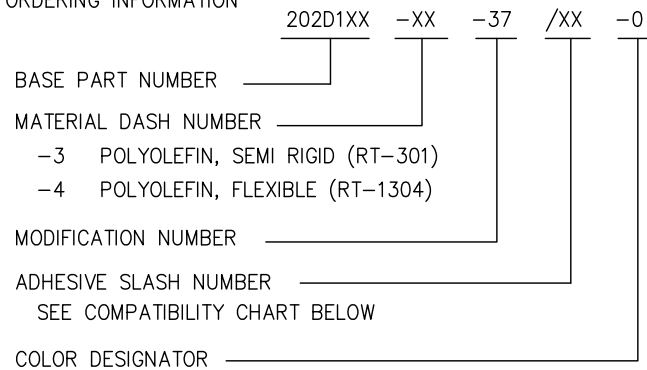


**NOTES**

1. ALL DIMENSIONS ARE IN  $\frac{\text{INCHES}}{\text{[MILLIMETERS]}}$
2. DIMENSIONS APPEARING IN TABLE ARE AS FOLLOWS:
  - a - AS SUPPLIED
  - b - AFTER UNRESTRICTED RECOVERY

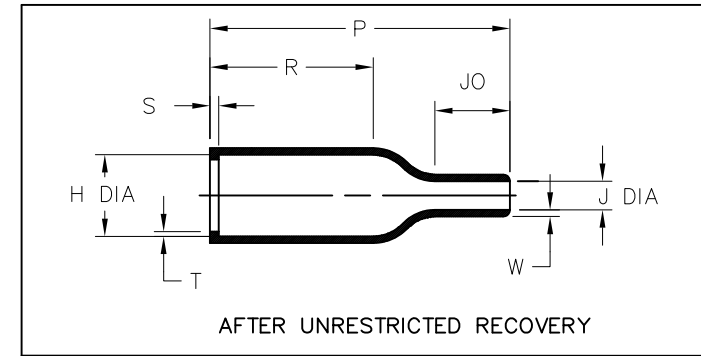
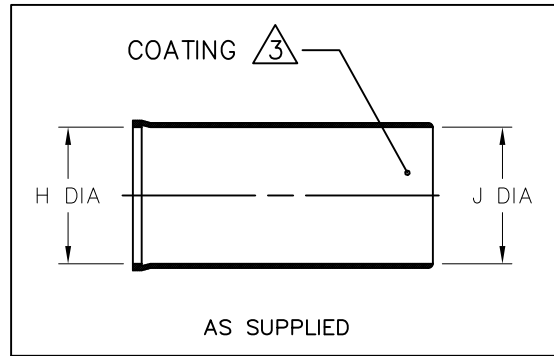
**3** COATING (ADHESIVE): IS OPTIONAL AS SUPPLIED DIMENSIONS APPEARING IN TABLE ARE FOR UNCOATED PARTS. WHEN COATING IS ADDED, ENTRY DIAMETER WILL BE REDUCED BY .06 MAX.

4. PARTS TO HAVE ONLY ONE LIP BECAUSE OF CORE CHANGE.
5. ORDERING INFORMATION



If this document is printed it becomes uncontrolled. Check for the latest revision

REVISIONS		
LTR	DESCRIPTION	DATE
B	REVISED PER ECO-11-001247	1/18/2011



**TABLE OF DIMENSIONS**

PART DESCRIPTION	H		J		±10% b	REF b	S REF b	T REF b	JO ±10% b	W ±20% b
	MIN a	MAX b	MIN a	MAX b						
	202D121-X-37	.92 [23,3]	.41 [10,5]	.92 [23,3]						
202D132-X-37	1.12 [28,4]	.56 [14,3]	1.12 [28,4]	.26 [6,6]	2.16 [54,9]	1.09 [27,7]	.12 [3,0]	.04 [1,0]	.65 [16,5]	.07 [1,78]
202D142-X-37	1.22 [31,0]	.70 [17,8]	1.22 [31,0]	.28 [7,2]	2.63 [66,8]	1.39 [35,3]	.12 [3,0]	.04 [1,0]	.70 [17,8]	.08 [2,03]
202D153-X-37	1.42 [36,0]	.88 [22,4]	1.42 [36,0]	.33 [8,4]	3.15 [80,0]	1.63 [41,4]	.12 [3,0]	.04 [1,0]	.82 [20,8]	.08 [2,03]
202D163-X-37	1.68 [42,7]	1.11 [28,2]	1.68 [42,7]	.39 [9,9]	4.08 [103,6]	2.22 [56,4]	.12 [3,0]	.065 [1,65]	.97 [24,6]	.09 [2,29]
202D174-X-37	2.04 [51,8]	1.38 [35,1]	2.04 [51,8]	.62 [15,8]	5.13 [130,3]	2.54 [64,5]	.12 [3,0]	.065 [1,65]	1.56 [39,6]	.13 [3,3]
202D185-X-37	2.60 [66,0]	1.75 [44,5]	2.60 [66,0]	.80 [20,4]	6.50 [165,1]	3.31 [84,1]	.12 [3,0]	.08 [2,0]	1.90 [48,3]	.16 [4,06]
202D196-X-37	3.22 [81,7]	2.27 [57,6]	3.22 [81,7]	1.00 [25,4]	7.00 [177,8]	3.75 [95,3]	.12 [3,0]	.08 [2,0]	1.88 [47,8]	.16 [4,06]

**COMPATIBILITY CHART**

MATERIAL DASH NO.	ADHESIVE (COATING) SLASH NO.	ADHESIVE (COATING) S NO.
-3	/42; /86;	S-1017; S-1048;
-4	/42; /86;	S-1017; S-1048;

UNLESS OTHERWISE SPECIFIED DIMENSIONS ARE INCHES. METRIC DIMENSIONS ARE IN BRACKETS.  
 DECIMAL TOLERANCES  
 .XXX ± 0.005 [0,13 mm]  
 .XX ± 0.01 [0,25 mm]  
 .X ± 0.1 [0,50 mm]  
 ANGLE TOLERANCE  
 .X ± 1 DEG.  
 TYCO ELECTRONICS RESERVES THE RIGHT TO AMEND THIS DRAWING AT ANY TIME. USERS SHOULD EVALUATE THE SUITABILITY OF THE PRODUCT FOR THEIR APPLICATION.

DRAWN  
 UNGUYEN  
 APPROVED  
 DHURRELL  
 THIRD ANGLE PROJECTION

**Tyco Electronics**  
 Raychem Molded Parts  
 305 Constitution Dr  
 Menlo Park, CA 94025

**TITLE**  
 BOOT, STRAIGHT, WITH LIP

SIZE **B** CODE IDENT. NO. **06090** DWG. NO. **202D1XX-X-37**

© 1995-2011 Tyco Electronics Corporation. All rights reserved. DO NOT SCALE THIS DRAWING SHEET 1 OF 1