

HAT905 SERIES

SPDT

50 Amp



File No.:E75887



File No.:R 50290157



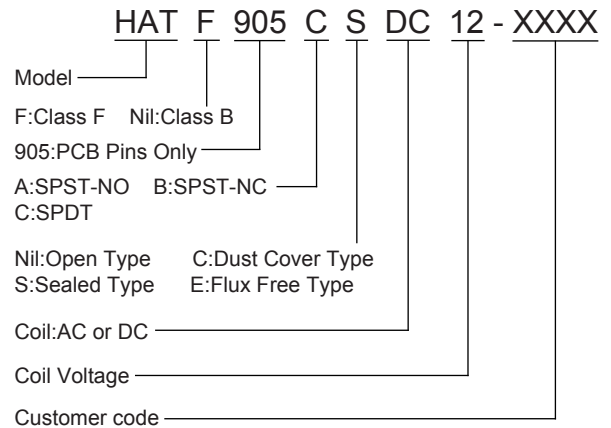
FEATURES

- 4000VAC high dielectric strength between contacts and coil is available
- Max. switch capacity up to 50A

CONTACT RATINGS

Contact Arrangement	1A, 1B, 1C
Contact Resistance	50mΩ (1A 24VDC)
Contact Material	Silver Alloy
Contact Rating(Resistive)	NO:50A/277VAC/28VDC NC:30A/28VDC
Max. Switching Voltage	277VAC/28VDC
Max. Switching Current	50A
Max. Switching Power	13850VA/840W
Mechanical Life	1×10 ⁷ operations
Electrical Life	5×10 ⁴ operations

ORDERING INFORMATION



CHARACTERISTICS

Insulation Resistance	100MΩ (at 500VDC)	
Dielectric Strength	Between coil & contacts	2000VAC 1min
	Between open contacts	1500VAC 1min
Operate time (at nomi. volt.)	≤15ms	
Release time (at nomi. volt.)	≤10ms	
Humidity	98% RH,40°C	
Ambient temperature	Class B:-40°C~85°C Class F:-40°C~105°C	
Shock Resistance	Functional	98m/s ²
	Destructive	980m/s ²
Vibration resistance	10Hz ~ 55Hz 1.5mm DA	
Unit weight	Approx. 36g	
Construction	Sealed Type, Dust Cover Type, Open type, Flux Free Type	

Notes: The data shown above are initial values.

COIL DATA

at 25°C

DC

Nominal Voltage VDC	Pick-up Voltage (Max.) VDC	Drop-out Voltage (Min.) VDC	Max. Allowable Voltage VDC	Coil Resistance Ω±10%
5	3.75	0.50	6.50	21
6	4.50	0.60	7.80	30
9	6.75	0.90	11.70	67.5
12	9.00	1.20	15.60	120
15	11.25	1.50	19.50	187.5
18	13.50	1.80	23.40	270
22	16.50	2.20	28.60	400
24	18.00	2.40	31.20	480
48	36.00	4.80	62.40	1920
110	82.50	11.00	143.00	10080

This datasheet is for customers' reference. All the specifications are subject to change without notice.



RELAYS & ELECTRONICS INT'L. CORP.

* SINCE 1976 *

RELAYS

TEL:(516) 328-9292 FAX:(516)326-9125 www.hascorelays.com email:info@hascorelays.com

HAT905 SERIES

SPDT

50 Amp

AC

Nominal Voltage VAC	Pick-up Voltage (Max.) VAC	Drop-out Voltage (Min.) VAC	Max. Allowable Voltage VAC	Coil Resistance $\Omega \pm 10\%$
12	9.6	1.2	14.40	27
24	19.2	2.4	28.80	120
110	88.0	11.0	132.0	2360
120	96.0	12.0	144.0	2560
220	176.0	22.0	264.0	9680
240	192.0	24.0	288.0	11520
277	221.6	27.7	332.4	15300

COIL

Coil Power	DC:1200mW AC:2.0VA
------------	-----------------------

SAFETY APPROVAL RATINGS

UL&CUL	NO	50A/277VAC, 30A/28VDC
	NC	20A/277VAC, 30A/28VDC
TüV	NO	35A/250VAC
	NC	15A/250VAC

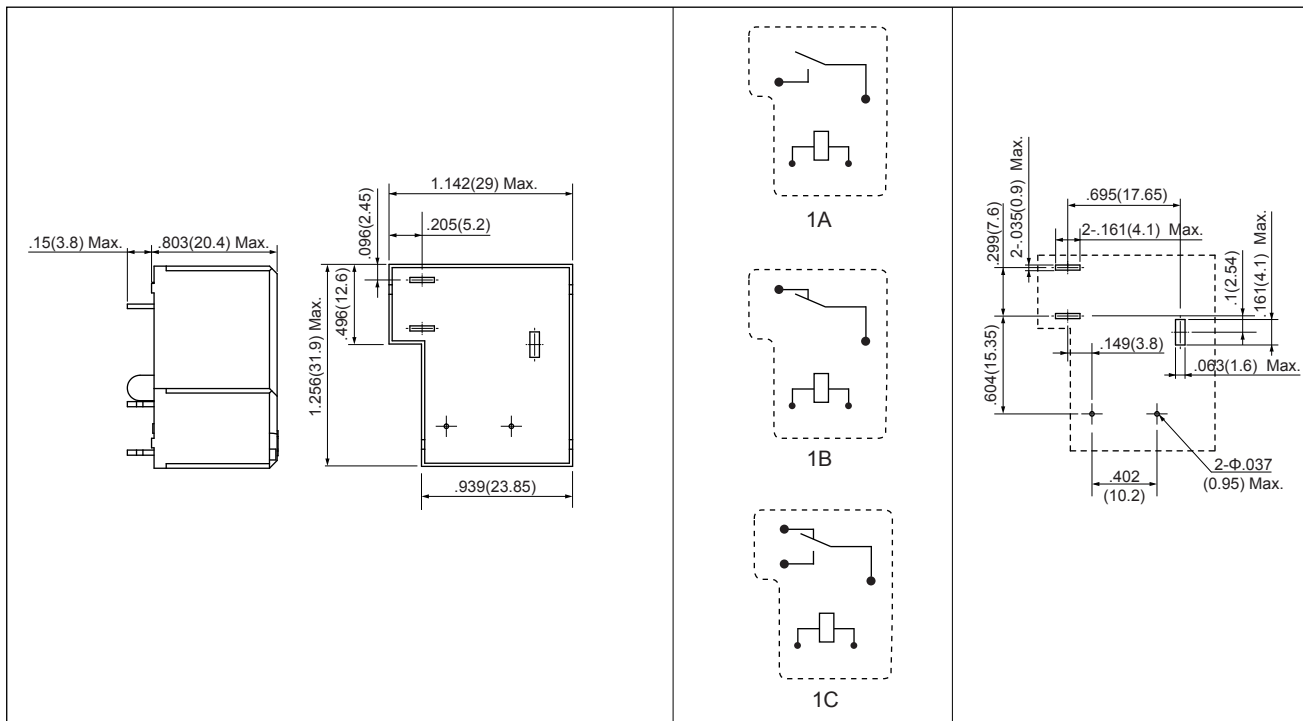
OUTLINE DIMENSIONS, WIRING DIAGRAM AND PCB BOARD LAYOUT.

Unit: inch(mm)

Outline Dimensions

Wiring Diagram (Bottom view)

PCB Layout (Bottom view)



Remark: 1) In case of no tolerance shown in outline dimension: outline dimension $\leq 1\text{mm}$, tolerance should be $\pm 0.2\text{mm}$; outline dimension $> 1\text{mm}$ and $\leq 5\text{mm}$, tolerance should be $\pm 0.3\text{mm}$; outline dimension $> 5\text{mm}$, tolerance should be $\pm 0.4\text{mm}$.
2) The tolerance without indicating for PCB layout is always $\pm 0.1\text{mm}$.

This datasheet is for customers' reference. All the specifications are subject to change without notice.



RELAYS

* SINCE 1976 *

TEL:(516) 328-9292 FAX:(516)326-9125 www.hascorelays.com email:info@hascorelays.com