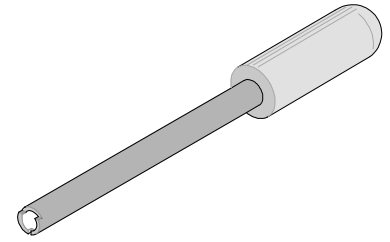




**Activation/
Deactivation Tool**

**Application Tooling
Specification Sheet**



Order No. 63813-0600

FEATURES

- This tool is used for the Activation/Deactivation of Sabre™ Wire-to-Wire Terminals in plug housings.

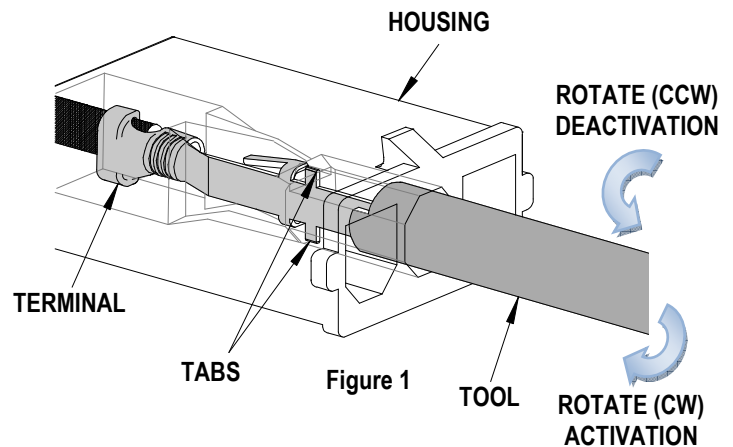
SCOPE

Products: Sabre™ Wire-to-Wire Crimp Flat Blade Terminals, 14-18 AWG.

Housing No.	Series No.	Terminal Order No.					
43680	43178	43178-1002	43178-1003	43178-2002	43178-2003	43178-3002	43178-3003
		43178-4002	43178-4003	43178-5002	43178-5003	43178-6002	43178-6003

OPERATION:

1. Insert the tool into the housing as shown below.
2. Use the sides of the housing to guide the extraction tool into the housing.
3. Continue to insert the tool until the tool cannot go any further into the housing
4. Position the narrow opening on the tool around the part of the terminal that is going to be activated or deactivated.
5. Gently turn the tool clockwise until one tab is turned and the terminal is activated or counter clockwise until the terminal is deactivated.
See Figure 1.



6. Use the 63813-0800 Extraction Tool to extract the terminal from the housing.

CAUTION: Molex specifications are valid only when used with Molex terminals, applicators and tooling.

Molex does not offer repair parts for Extractor Tools due to the inexpensive nature of these tools.

Contact Information

For more information on Molex application tooling please contact Molex at 1-800-786-6539.

Visit our Web site at <http://www.molex.com>