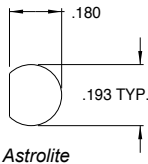
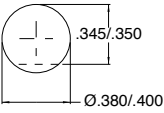
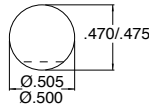
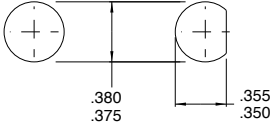
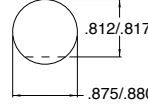


Mounting Hole Pattern for LED Indicator Lights

 <p>Astrolite</p> <p>Optional Round or Flat</p>  <p>4611 Series</p>	<p>Optional Round or Flat</p>  <p>1030D, 1031D, 1033D, 1090D 1030QD, 1031QD, 1032QD, 1033QD 1050A, 1051A, 1052A, 1053A, 1090A, 1050QA, 1051QA, 1052QA, 1053QA, 1090QA, 1050C, 1051C, 1052C, 1053C, 1090C, 1050QC, 1051QC, 1052QC, 1053QC, 1090QC, 1050N, 1052N, 1090N, 1050QN, 1052QN, 1091M, 1091QM, 3040, 3062, 4141, 4142WT</p>	<p>Mounting Hole: "D" flat is optional Panel Thickness: .250/.030</p>  <p>6010M, 6011M, 6012M, 6013M, 6091M, 6010QM, 6011QM, 6012QM, 6013QM, 6091QM</p>	<p>Optional Round or Flat</p>  <p>2620K, 2622K, 2620QK, 2622QK, 2620T, 2621T, 2622T, 2623T</p>
---	---	--	--