
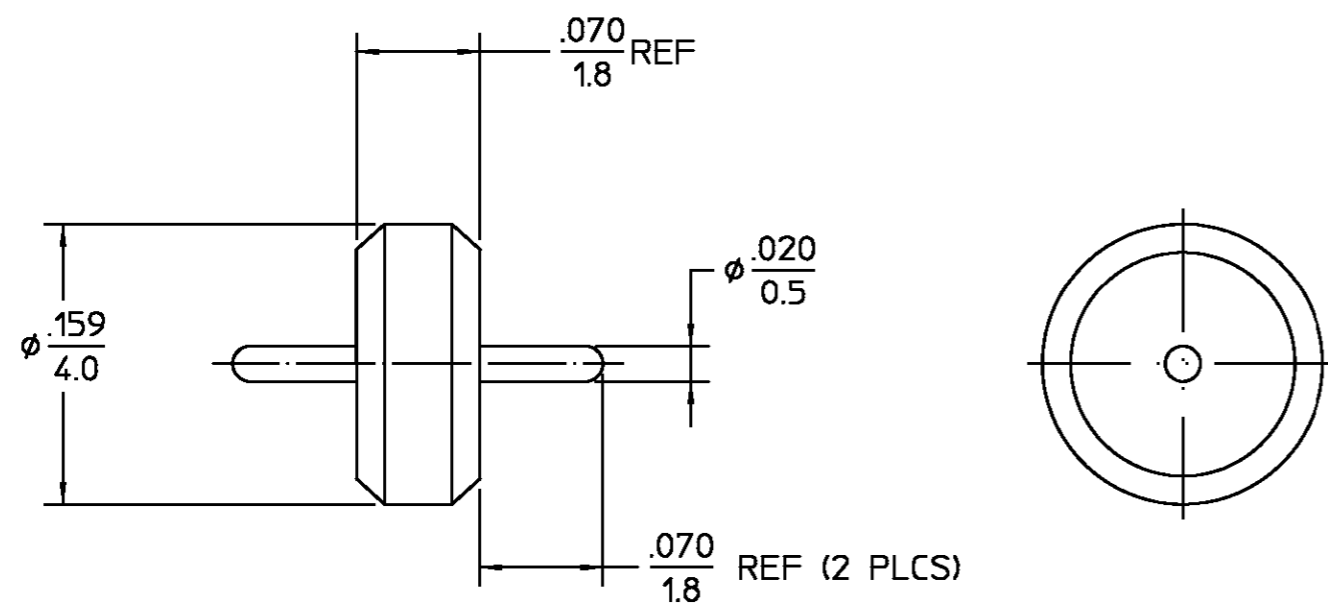



REVISIONS			
REV	DESCRIPTION	DATE	APPROVED
02 ₄	REVISED	M.G. 10-23-98	 11/17/98



CONTACT EXTENSION BUSHING	IRON-NICKEL ALLOY PER MIL-I-23011 CLASS 2	GOLD PLATE PER MIL-G-45204
GLASS	CERAMIC GLASS	N/A
COMPONENT	MATERIAL	FINISH
UNLESS OTHERWISE SPECIFIED DIMENSIONS ARE IN INCHES FRAC. ± 1/64 DEC. ±.005 ANGLES ± 1°	DRAWN BY GB	DATE 10-17-80
	CHECKED BY KD	DATE 10-30-80
These drawings and specifications are the property of M/A COM Interconnect Div. and shall not be reproduced or copied or used in whole or in part as the basis for the manufacture or sale of item(s) without written permission.	APP'D BY RS	DATE 10-31-80
	USE ASSY PROCEDURE	 M/A-COM a Division of AMP Incorporated 140 Fourth Avenue Waltham, MA 02154-7577
	NO. A.P. N/A	
TITLE HERMETIC SEAL SUB-ASS'Y		REV 02 ₄
SIZE B	CODE IDENT NO. 26805	2098-0294-00
SCALE 10:1	SHEET 1 OF 1	