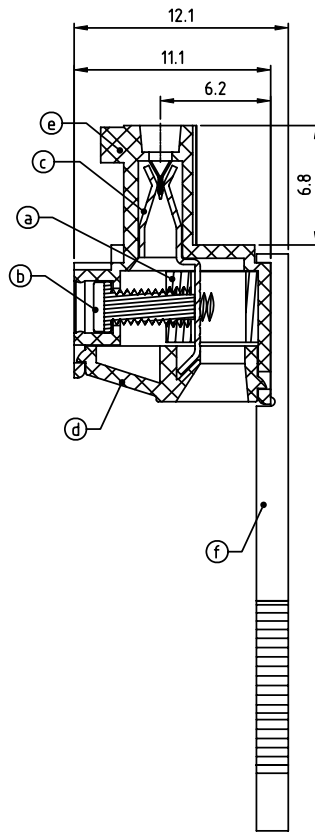
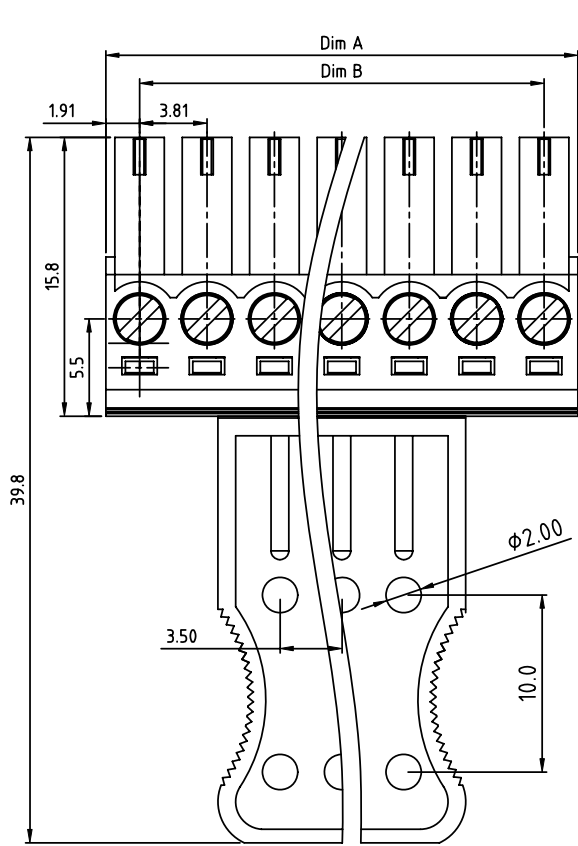


PRODUCT NUMBER	PITCH
TJxx31x400J0G	3.81 mm



Handle list:

TJ3.81 Poles NO.	TJ3.5Handle Poles NO.
2P-4P	2P
5P-9P	5P
10P-15P	8P
16P-24P	12P

N = Number of poles

Dim A=Nx3.81

Dim B=(N-1)x3.81

	Dim A	Dim B
2-6p	±0.15	±0.10
7-12p	±0.20	±0.15
13-18p	±0.25	±0.20
19-24p	±0.30	±0.25

PART NO.: TJ xx 31 x 4 00J0 G

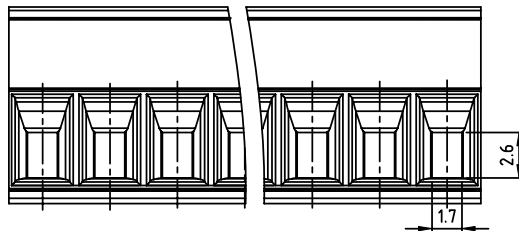
No. of poles	Color	RoHS compliant (lead<4%) In copper Alloy
0	Black (RAL9005)	
02 2 poles	2 Red (RAL3001/D)	
03 3 poles	3 Orange(RAL2011/P)	
...	4 Yellow(RAL1018/A)	
24 24 poles	5 Green(RAL6018/T)	
	6 Blue (RAL5015/A)	
	8 Grey(RAL7035/D)	
	9 White(RAL1102)	
	C Green(RAL6018/U)	

Material

- ItemⒶ Clamp: Brass(CuZn) Ni plated
- ItemⒷ Terminal screw: Steel Zinc plating "-" slot type
- ItemⒸ Female contact: PhBz ,Tin plated
- ItemⒹ Terminal (Cover): Thermoplastic (UL94V-0)
- ItemⒺ Terminal (Body): Thermoplastic (UL94V-0)
- ItemⒻ Handle: Thermoplastic (UL94V-0)

Electrical cULus/VDE

- Voltage rating: 300VAC/300VAC
- Current rating: 10A/10.5A
- Wire range: 1.5mm²
- Solid wire(AWG): 16-28
- Stranded wire(AWG): 16-28
- Torque: 3Lb-In/0.2Nm
- Screw: M2
- Wire strip length: 6-7mm
- Withstanding Voltage: 1.6KV/2.5KV
- Operating temperature: -40°C to +115°C
- Safety Approval:



mat'l. code		surface ASME Y14.5	tolerance ASME Y14.5	projection	product family	
ltr ecn no dr date		tolerances unless otherwise specified			TERMINAL BLOCK	
		angles	X.±0.5	MM	title	
		X*±1°	X.X±0.3		TERMINAL BLOCK	
			X.XX±0.1	scale	PLUGGALBE PLUG, WITH HANDLE	
		dr	HANKE FENG 032614		dwg no sheet 1 of 1 size	
		enr	HANKE FENG 032614		TJxx31x400J0G A4	
		chr	SHI JUN 032614		type CUSTOMER Drawing	
		appd	SHI JUN 032614			
sheet index	revision sheet	A	1			