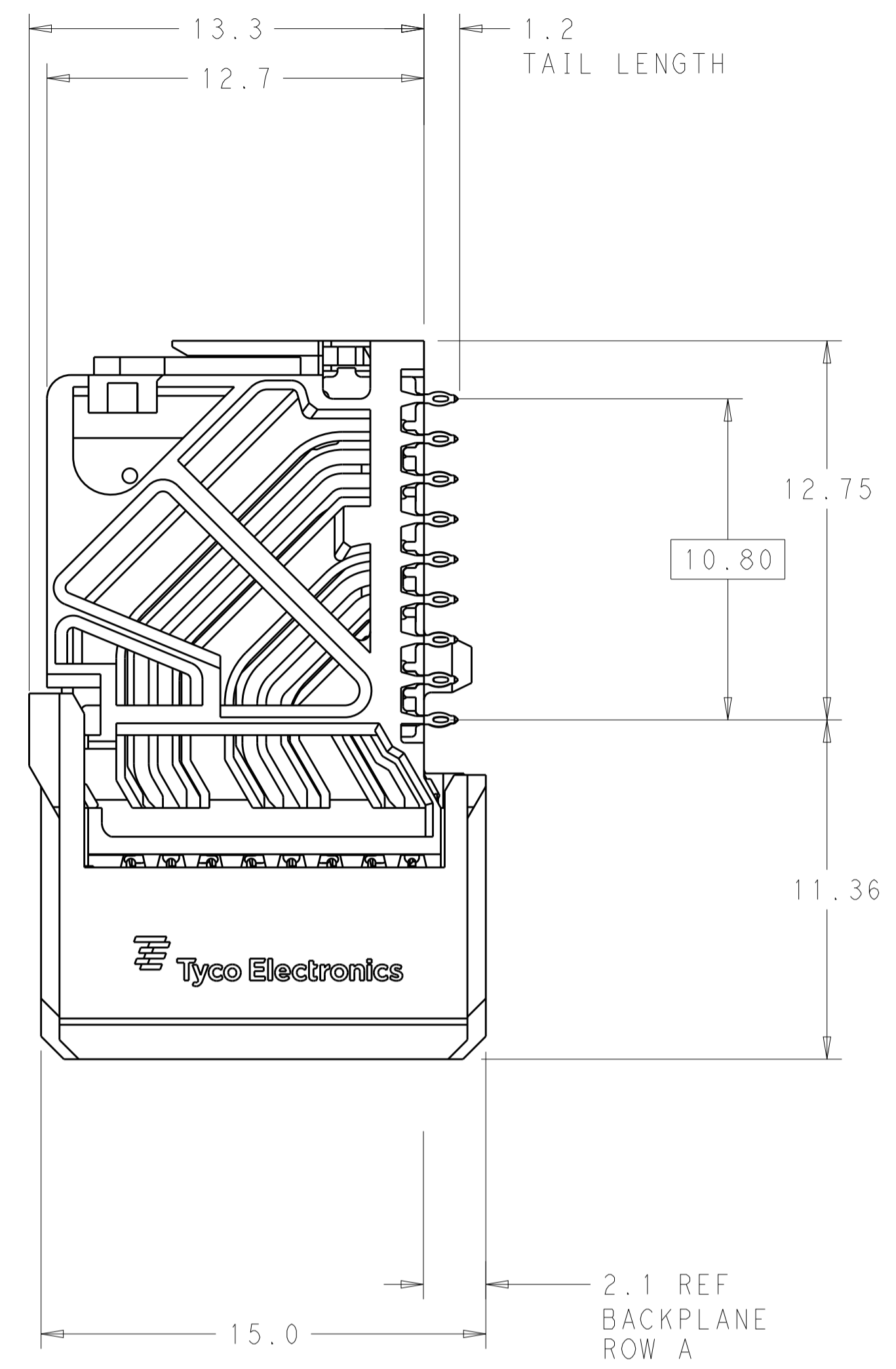
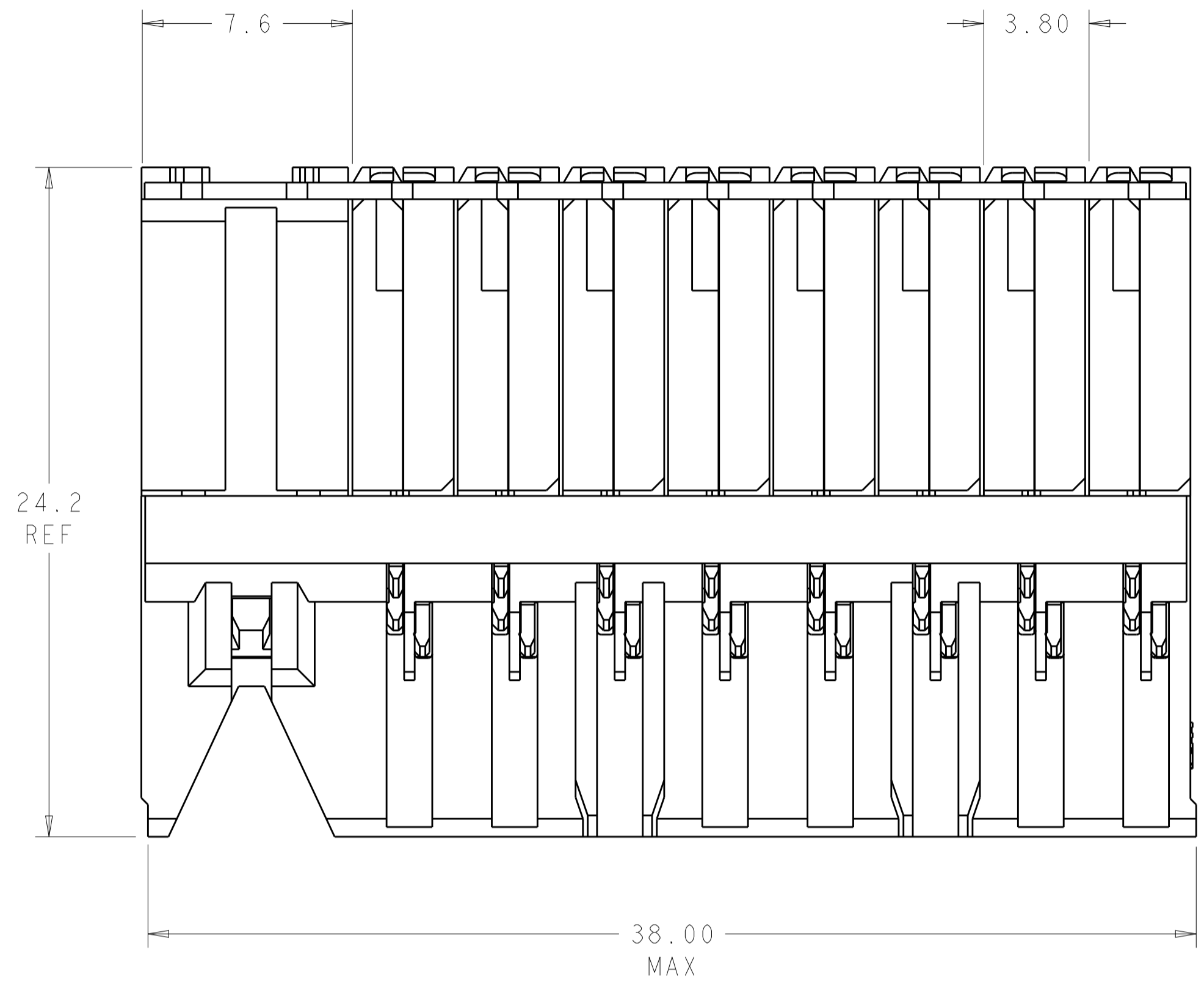


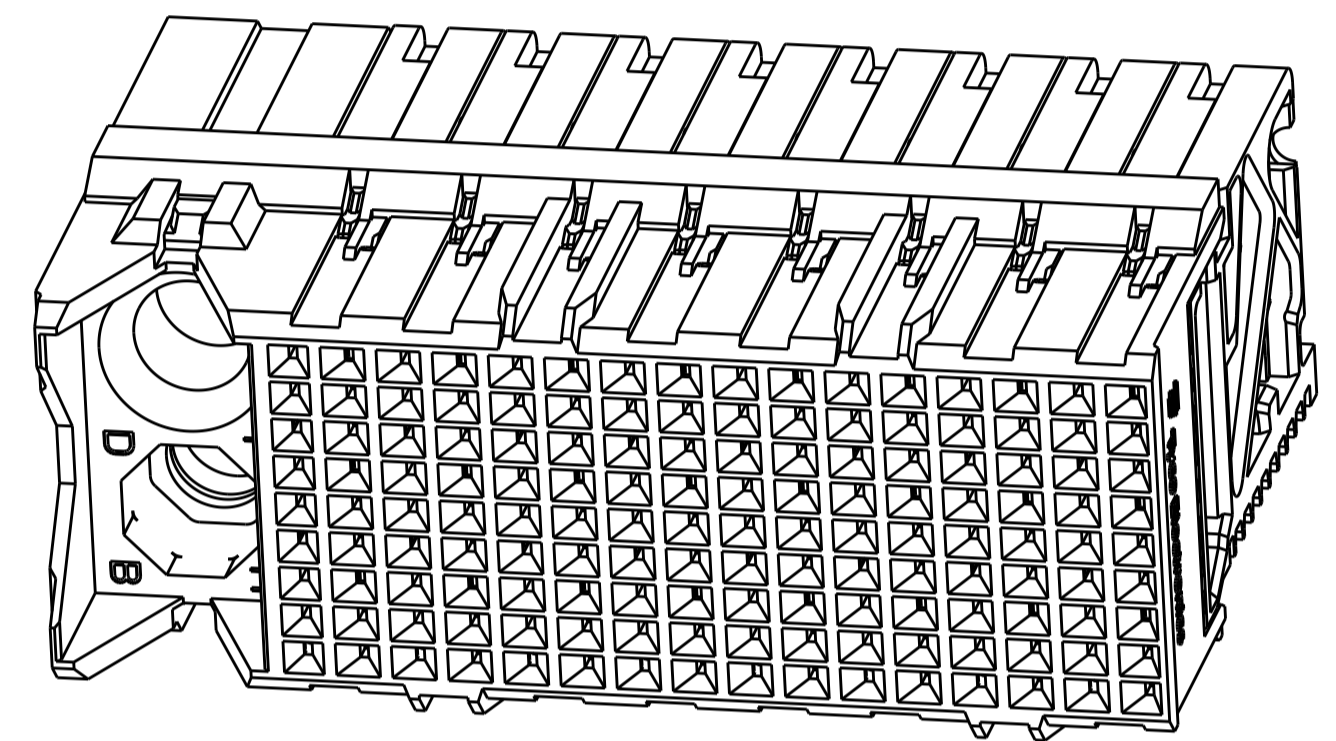
| LOC | | DIST | | REVISIONS | | | |
|-----|----|------|-----|---------------------------|-----------|-----|------|
| AD | 00 | P | LTN | DESCRIPTION | DATE | DWN | APVD |
| | | D3 | | REVISED PER ECO-14-018035 | 11MAR2015 | AP | DD |



⚠ MATERIAL:
 HOUSING: LCP, GLASS FILLED, UL94V-0.
 TERMINALS: HIGH PERFORMANCE COPPER ALLOY.

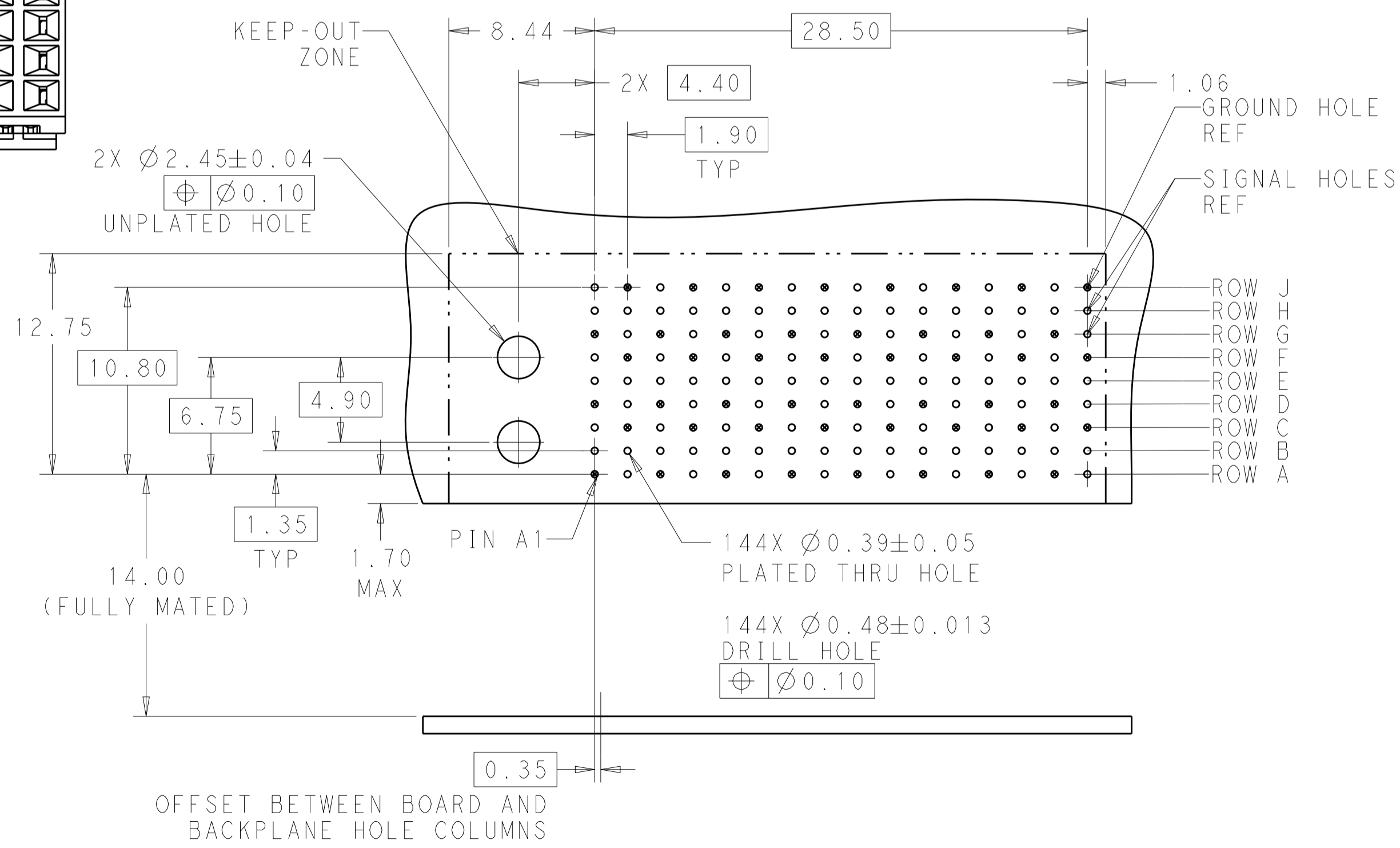
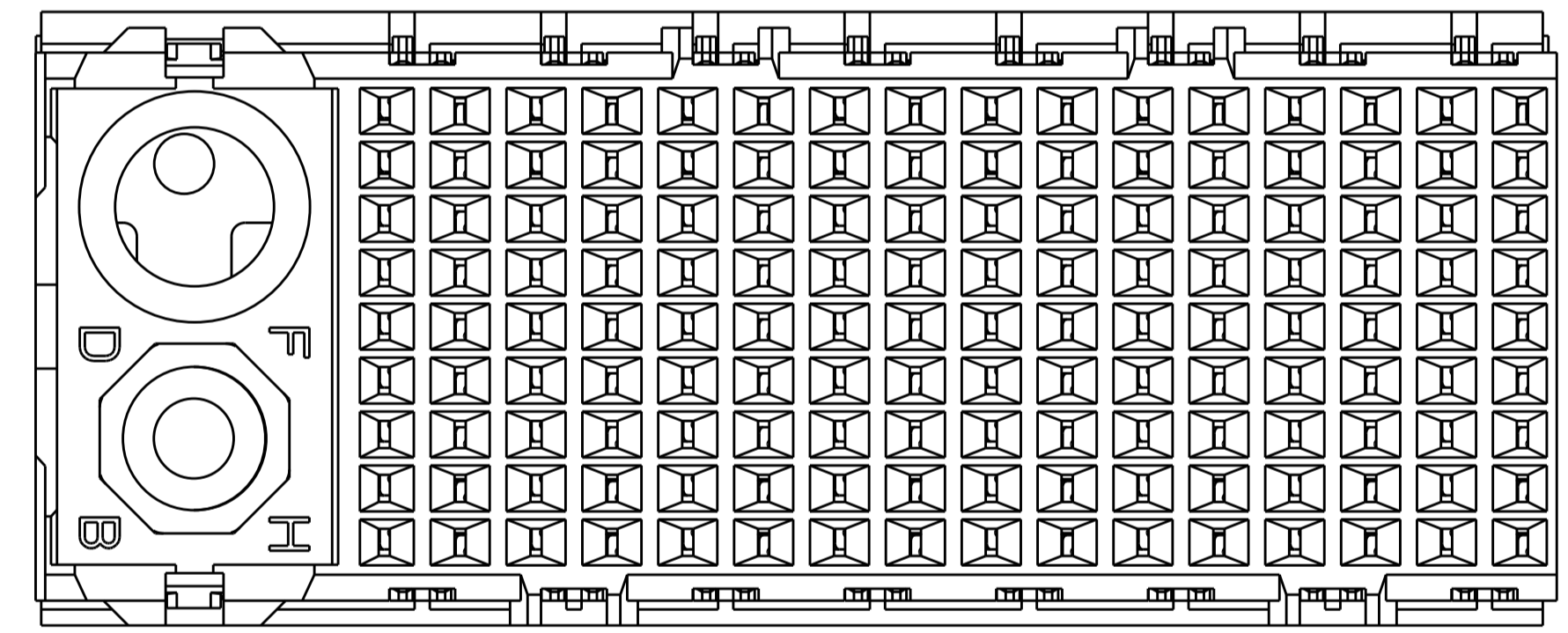
⚠ FINISH:
 30µ" SELECTIVE GOLD IN CONTACT AREA. SELECTIVE TIN ON PCB TAILS, NICKEL OVERALL.

3. CONNECTORS SUPPLIED WITH MOUNTING SCREWS.



SCALE 4:1

REFER TO WWW.TE.COM FOR PRODUCT AVAILABILITY



| KEY POSITION CHART | |
|--------------------|---|
| NONE | |
| A | E |
| B | F |
| C | G |
| D | H |

| KEY POSITION | FINISH | PART NUMBER |
|--------------|--------|-------------|
| H | ⚠ | 8-2007709-1 |
| G | ⚠ | 7-2007709-1 |
| F | ⚠ | 6-2007709-1 |
| E | ⚠ | 5-2007709-1 |
| D | ⚠ | 4-2007709-1 |
| C | ⚠ | 3-2007709-1 |
| B | ⚠ | 2-2007709-1 |
| A | ⚠ | 1-2007709-1 |
| NONE | ⚠ | 2007709-1 |

THIS DRAWING IS A CONTROLLED DOCUMENT. DWN 05APR2011
 CHK D. DIXON 05APR2011
 APVD D. DIXON 05APR2011

DIMENSIONS: mm
 TOLERANCES UNLESS OTHERWISE SPECIFIED:
 0 PLC ±
 1 PLC ±0.2
 2 PLC ±0.13
 3 PLC ±
 4 PLC ±
 ANGLES ±
 MATERIAL SEE TABLE
 FINISH SEE TABLE

NAME: IMPACT, 3 PAIR, DAUGHTERCARD 16 COLUMN, LEFT GUIDED, SIGNAL MODULE, 0.39 EYELET
 SIZE: CAGE CODE DRAWING NO. RESTRICTED TO
 WEIGHT: A100779C=2007709
 Customer Drawing SCALE 6:1 SHEET 1 OF 1 REV D3

TE Connectivity