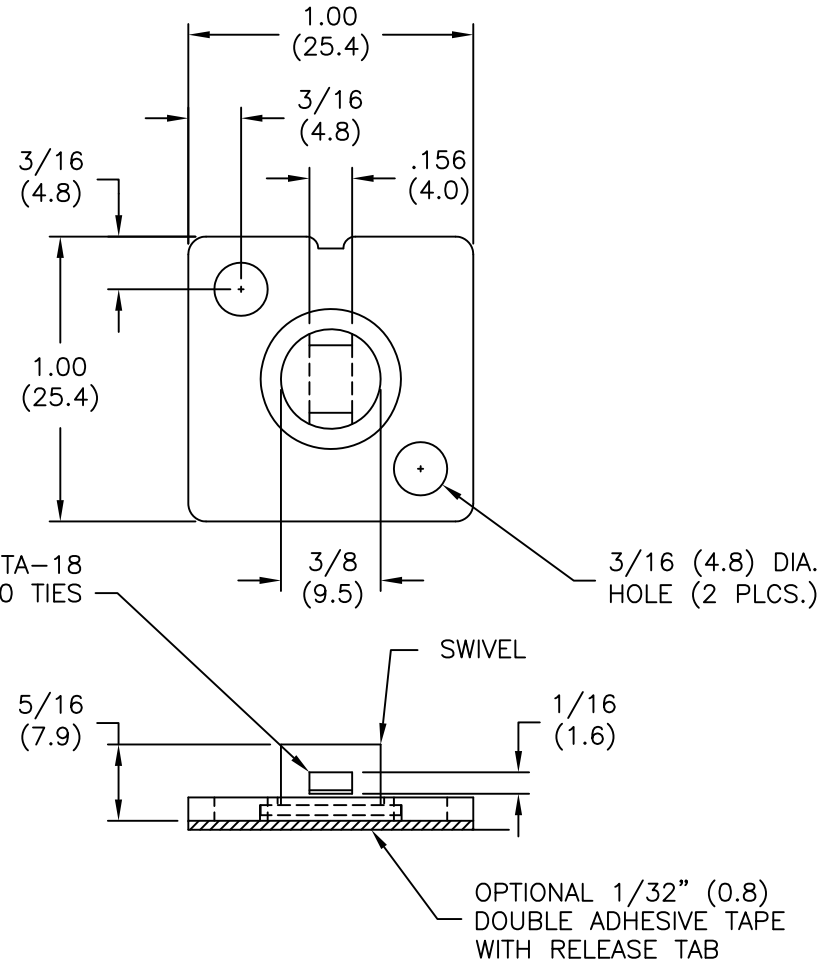


PART NO.	MATERIAL	COLOR	ADHESIVE
FTH-4-01	NYLON 6/6 (RMS-01)	NATURAL	NONE
FTH-4A-RT			ACRYLIC TAPE (RMS-15), WHITE LINER



NOTES:

- UV STABILIZED NYLON 6/6, (RMS-46).
COLOR: BLACK,
ACRYLIC ADHESIVE TAPE (RMS-15), WHITE LINER,
AVAILABLE BY SPECIAL ORDER ONLY;
TO ORDER USE P/N FTH-4A-RT-UVB
OR FTH-4-UVB (WITHOUT TAPE).
- PACKAGING QUANTITIES ARE REFLECTED AS THE SUFFIX "-LETTER".
EXAMPLE: FTH-4-01-M FOR 1000 PCS.
-C = 100 PCS
-M = 1000 PCS

I	ADDED NOTE 2. SEE CO 200661	SK 05.12.11
H	SEE CO 200570 FOR CHANGES	SK 08.04.10
G	SEE ECN #1124 FOR CHANGES	SK 01.24.06
F	COMPLETELY RE-DRAWN & CHANGED FILE#	SM 10.18.01
E	REMOVED TABLE & CHANGED NOTE 3.	SM 01.31.01
D	DIM C UPDATED TO 5/16 (7.9)	MB. 9.18.00
C	RUBBER TAPE (RMS-102) ADDED	J.L. 8.22.00
B	MAT'L NOTES ADDED	J.L.1.4.00
A	CONVERTED TO ACAD	PB 06.29.94
REV	DESCRIPTION	ENGR DATE

TITLE: FLAT TIE HOLDER			DWG IN IN (MM)	FINAL	PRINT TYPE
FILE #	FTH-4	DWN:	P.B.	APP:	PART # SEE TABLE
MAT'L:	SEE NOTES	DT:	06-29-94	DT:	
RE:	RICHCO, INC.	RICHCO INC. PO BOX 804238, CHICAGO, 60680 (773) 539-4060			CA