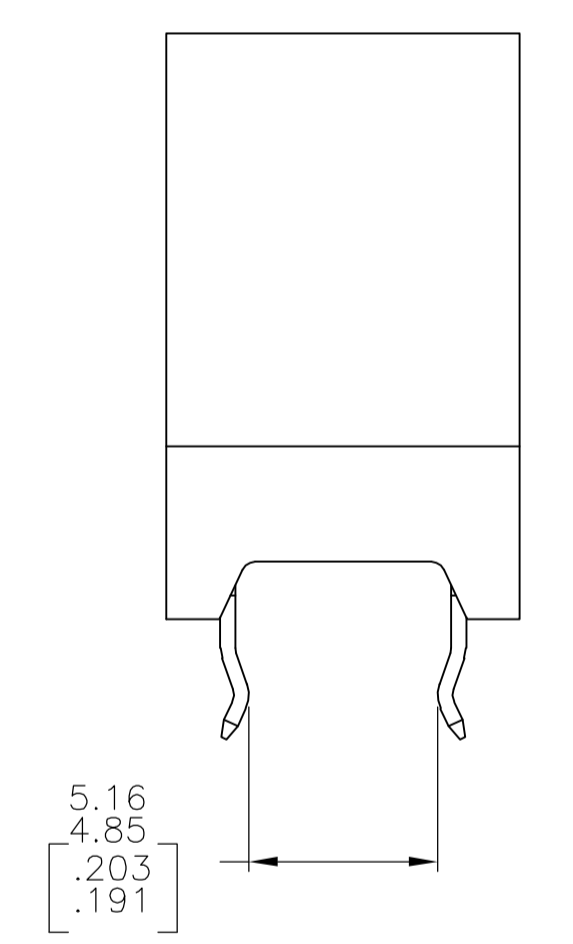
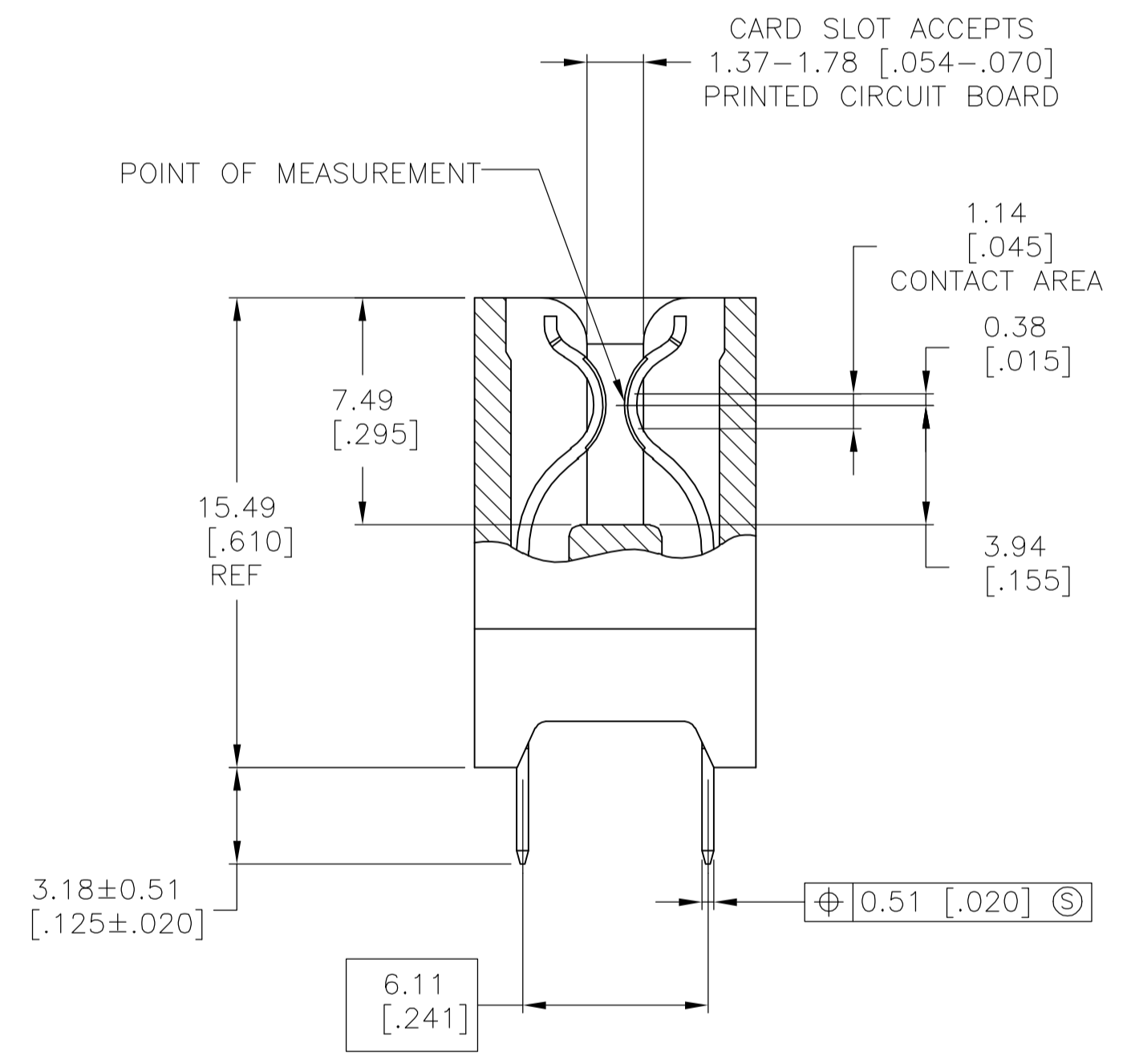
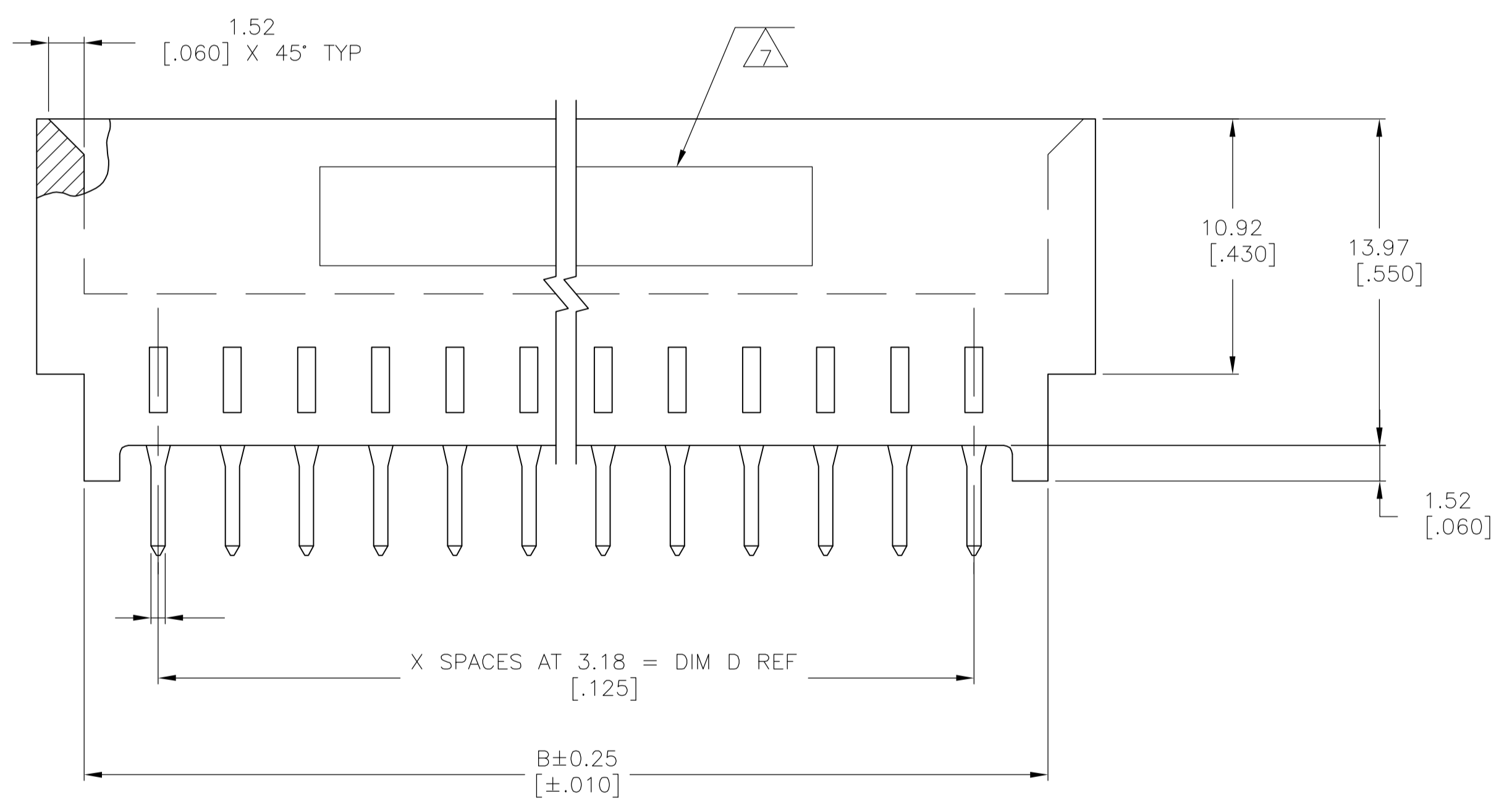
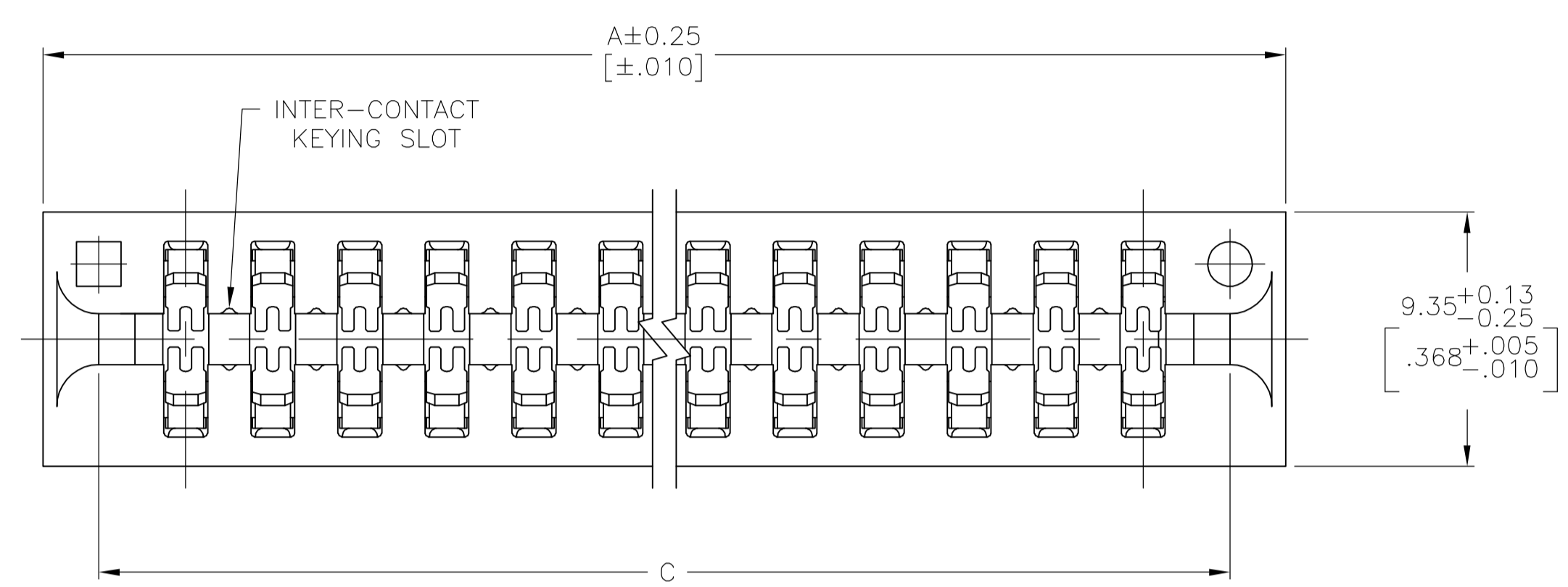


- 1 HOUSING: GLASS FILLED POLYESTER; COLOR: BLACK.
- 2 CONTACT: PHOSPHOR BRONZE.
- 3 NICKEL UNDERPLATE: 0.00127 [.000050] MIN - ALL OVER.
- 4 TIN-LEAD PLATE: 0.00254 [.000100] MIN - SOLDER POSTS.
- 5 GOLD PLATE: 0.00076 [.000030] MIN - CONTACT AREA.
- 6 NICKEL PLATE PER MIL-G-45204.
GOLD PLATE PER QQ-N-290.
- 7 AMP PART NUMBER AND DATE CODE ARE MARKED IN APPROXIMATE AREA SHOWN, EITHER SIDE.
- 8. RECOMMENDED PCB FINISHED HOLE DIA: 1.02 ± 0.08 [.040 ± .003].
- 9. THE RETENTIVE FEATURE OF THIS CONNECTOR IS DESIGNED FOR FULL SEATING IN .062 ± .008 THICK CIRCUIT BOARDS. FOR APPLICATIONS IN BOARDS OF OTHER THICKNESSES CONTACT AMP INCORPORATED.
- 10 MATTE TIN PLATE: 0.00254 [.000100] MIN - SOLDER POSTS.



BOARD RETENTION FEATURE

3-10	15.88 [.625]	22.22 [.875]	22.22 [.875]	26.29 [1.035]	5	6	△ 5-650207-1
3-10	15.88 [.625]	22.22 [.875]	22.22 [.875]	26.29 [1.035]	5	6	650207-1
BOARD RETENTION LOCATION	D	C	B	A	X	NO OF POSN.	PART NUMBER

THIS DRAWING IS A CONTROLLED DOCUMENT. 11/6/91

DRN: R. SHIREY/UTA
 CHK: J. DIORAZIO
 APVD: J. DIORAZIO
 DATE: 8-10-92

tyco Electronics
 Tyco Electronics Corporation
 Harrisburg, Pa 17105-3608

PRODUCT SPEC: 108-9039
 APPLICATION SPEC: 3.18 [.125] CL, SELECT BOARD RETENTION

SIZE: A1
 CAGE CODE: 00779
 DRAWING NO: 650207

MATERIAL: HOUSING: △ CONTACT: △△△△
 FINISH: △△△△

WEIGHT: -
 CUSTOMER DRAWING

SCALE: 5:1 SHEET: 1 OF 1 REV: C