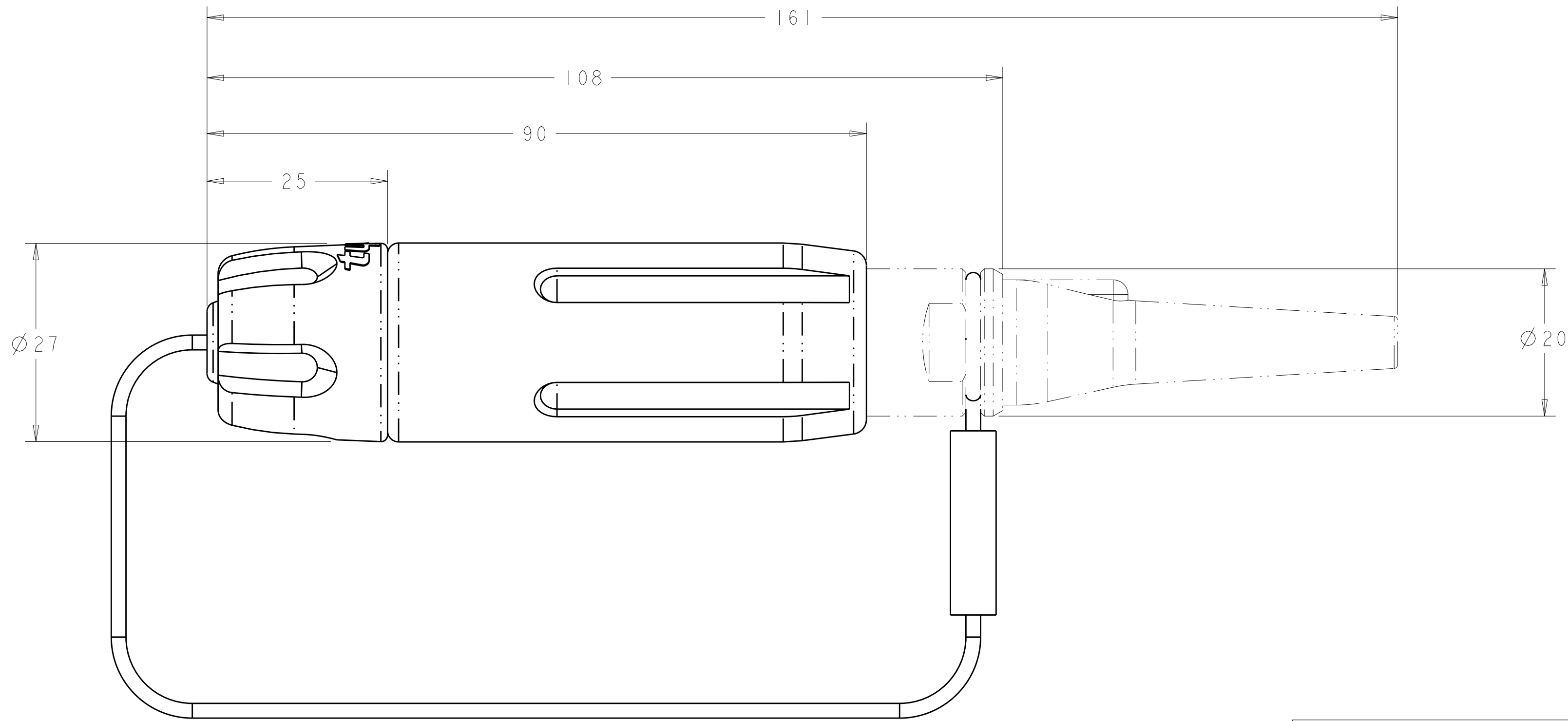


THIS DRAWING IS UNPUBLISHED. RELEASED FOR PUBLICATION 20
 © COPYRIGHT 20 BY TYCO ELECTRONICS CORPORATION. ALL RIGHTS RESERVED.

LOC	DIST	REVISIONS			
P	LTR	DESCRIPTION	DATE	DWN	APVD
	I	PPR 06-893	02JUN08	KG	DW
	A	ECR-08-027292	29OCT2008	KG	DW

1. ASSEMBLY SHOWN FOR REFERENCE ONLY. SHIPPED LOOSE PIECE AS SHOWN ON PAGE 2.
2. ALL ASSEMBLY DIMENSIONS ARE FOR REFERENCE ONLY.
3. THIS PRODUCT HAS NOT COMPLETED VALIDATION TESTING.
4. COMPLETE THE CONNECTOR ASSEMBLY BY ADDING EACH OF THE FOLLOWING PRO BEAM JR KITS:
 - A. EXPANDED BEAM INSERT ASSEMBLY KIT
 - B. CABLE ADAPTER KIT, SIZED TO THE CABLE JACKET DIAMETER
 - C. FERRULE KIT, ONE PER FIBER



VIEW SHOWN WITH
 CABLE ADAPTER KIT INSTALLED
 AS PHANTOM LINES FOR VISUAL
 AND DIMENSIONAL PURPOSES ONLY

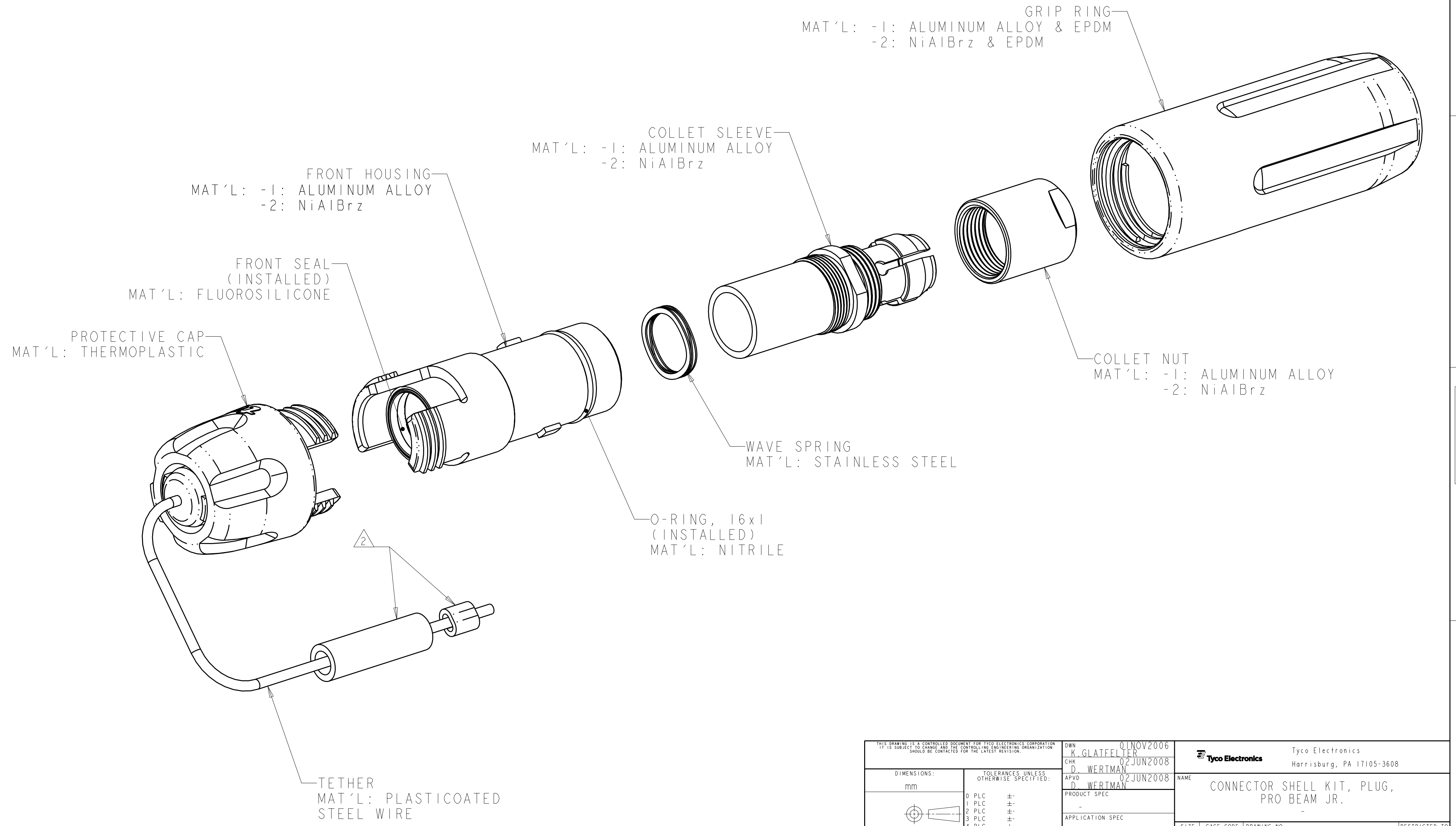
NICKEL ALUMINUM BRONZE	1918937-2
ALUMINUM	1918937-1
HOUSING ALLOY	PART NUMBER

THIS DRAWING IS A CONTROLLED DOCUMENT FOR TYCO ELECTRONICS CORPORATION. IT IS SUBJECT TO CHANGE AND THE CONTROLLING ENGINEERING ORGANIZATION SHOULD BE CONTACTED FOR THE LATEST REVISION.		DWN K. GLATFELTER 01NOV2006	Tyco Electronics Harrisburg, PA 17105-3608	
DIMENSIONS: mm		CHK D. WERTMAN 02JUN2008	NAME CONNECTOR SHELL KIT, PLUG, PRO BEAM JR.	
TOLERANCES UNLESS OTHERWISE SPECIFIED: 0 PLC ± 1 PLC ± 2 PLC ± 3 PLC ± 4 PLC ± ANGLES ±		APVD D. WERTMAN 02JUN2008	RESTRICTED TO	
MATERIAL - HARD ANODIZE (AL ONLY)		PRODUCT SPEC - APPLICATION SPEC - WEIGHT -	SIZE A200779	DRAWING NO C-1918937
CUSTOMER DRAWING		SCALE 2:1	SHEET 1	OF 2
			REV A	

THIS DRAWING IS UNPUBLISHED. RELEASED FOR PUBLICATION 20
 © COPYRIGHT 20 BY TYCO ELECTRONICS CORPORATION. ALL RIGHTS RESERVED.

LOC	DIST	REVISIONS			
P	LTR	DESCRIPTION	DATE	DWN	APVD
CE	16	-	SEE SHEET 1	-	-

1. SHIPPED LOOSE PIECE AS SHOWN.
 2. TETHER ATTACHING LOOP TO BE COMPLETED ONTO CONNECTOR DURING TERMINATION ASSEMBLY.



THIS DRAWING IS A CONTROLLED DOCUMENT FOR TYCO ELECTRONICS CORPORATION. IT IS SUBJECT TO CHANGE AND THE CONTROLLING ENGINEERING ORGANIZATION SHOULD BE CONTACTED FOR THE LATEST REVISION.		DWN K. GLATFELTER 01NOV2006	Tyco Electronics Harrisburg, PA 17105-3608	
DIMENSIONS: mm		CHK D. WERTMAN 02JUN2008	NAME CONNECTOR SHELL KIT, PLUG, PRO BEAM JR.	
TOLERANCES UNLESS OTHERWISE SPECIFIED: 0 PLC ± 1 PLC ± 2 PLC ± 3 PLC ± 4 PLC ± ANGLES ±		APVD D. WERTMAN 02JUN2008	RESTRICTED TO	
MATERIAL AS LISTED		PRODUCT SPEC APPLICATION SPEC WEIGHT CUSTOMER DRAWING	SIZE A200779	DRAWING NO. C-1918937
HARD ANODIZE (AL ONLY)		SCALE 1:1	SHEET 2	OF 2 REV A