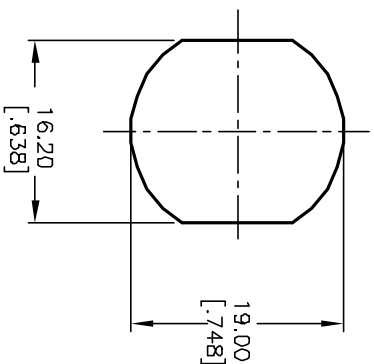


NOTES:

1. ALL DIMENSIONS IN MM [INCH]
2. GENERAL TOLERANCE: X.X=±0.4
X.XX=±0.25
3. TERM. NOS. FOR REF. ONLY
4. CONTACT RATING: 4A @125VAC/28VDC, 2A @250VAC
5. DIELECTRIC STRENGTH: 1KV RMS min. at sea level
6. ELECTRICAL LIFE: 10,000 make-and-break cycles at full load.
7. MATERIALS:

CONTACTS: Silver Plated CU (Q Contact material)
 TERMINALS: GOLD Plated Cu (Q Contact material)
 MOUNTING NUT: Nickel Plated zinc alloy
 CONTACT SPRING: Piano Wire
 KEYS (2): Brass with code no. 601
 LOCK: Bright Ni plated zinc alloy with Ni facing
 TUMBLER Mechanism: 4-disc tumbler cylinder.

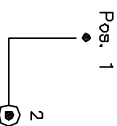


RECOMMENDED PANEL LAYOUT

CIRCUIT: DP (90° INDEXING) CONTACT CONFIGURATION	
SWITCH FUNCTION	CONNECTED TERMINAL #
POS. 1	POS. 2
8-1, 4-5	1-3, 5-7

LEGEND

- =Detent Positions (45° or 90°)
- ⊙ =Key pull possible in these positions



REV.	ECN NO.	DESCRIPTION	DATE	CHK'D
B	11714	REVISED AND REDRAWN	10/5/01	CJB

TITLE		SCALE	DATE	DR	DWG	REV
K0130Q-601		1.5:1	10/5/01	CJB	K200242	B

E-SWITCH®

THE INFORMATION CONTAINED IN THIS DOCUMENT IS PREPARED FOR E-SWITCH AND IS NOT TO BE COPIED OR TRANSMITTED