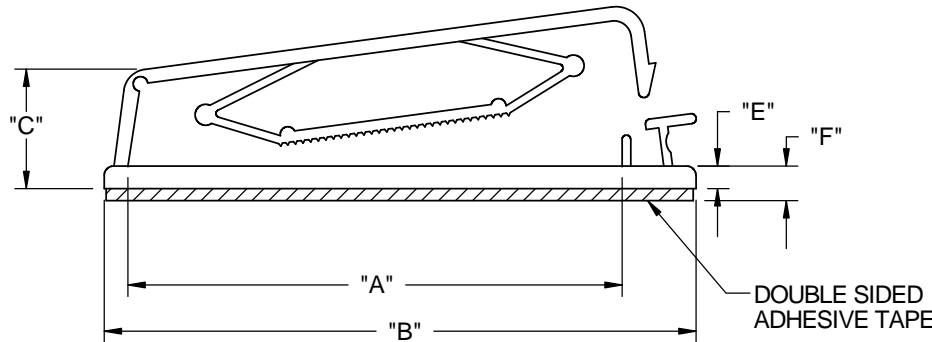
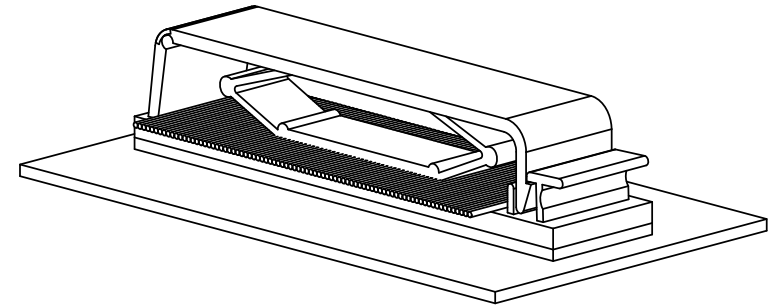
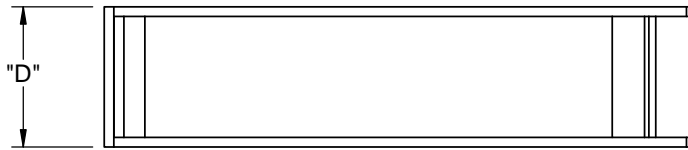


PART NO.	MAX. NO. OF CONDUCTORS	"A" REF	"B"	"C"	"D"	"E"	"F" REF.	MATERIAL	ADHESIVE
TFCC-30-01	30	32 [1.26]	45+1.5/-0.5 [1.77]	15.8±0.5 [.62]	18.6+1.2/-0.3 [.73]	3±0.2 [.12]	4.6 [.18]	NYLON 6/6 UL94 V-2 (RMS-74)	ARYLIC (RMS-350)
TFCC-40-01	40	54 [2.13]	67±1 [2.64]		15.8±1 [.62]	3.1±0.2 [.12]	4.7 [.19]	NYLON 6/6 UL94 V-2 (RMS-01)	ARYLIC (RMS-430)
TFCC-50-01	50	65.2 [2.57]	78.4+1.5/-0.5 [3.09]		18.8+1.2/-0.3 [.74]			NYLON 6/6 UL94 V-2 (RMS-74)	ARYLIC (RMS-350)



NOTES:
1. PART DESIGNED IN MM, INCH CONVERSION IS FOR REFERENCE ONLY.

REV.			DESCRIPTION			ENGR. DATE			TITLE: TENSION FLAT CABLE CLAMP			DWG IN MM [IN]		FINAL		PRINT TYPE			
I	SEE CO 200715 FOR CHANGES		SK	10/03/11		CREATED USING SOLIDWORKS			FILE #:	TFCC		DWN:	SK		APP:	BR			
H	SEE CO 200082 FOR CHANGES		SK	12/06/07		GENERAL TOLERANCE ±0.25 MM UNLESS OTHERWISE STATED	SHEET:	1 OF 1		SHEET SIZE:	A		DT:	08/25/05		CHKD:	RT		
G	SEE CO 200041 FOR CHANGES		SK	09/28/07			RE:	RICHCO, INC.		RICHCO, INC.			PART #		SEE TABLE		CA		
F	REDRAWN, SEE ECN #1043 FOR CHANGES		SK	08/25/05			ENG@RICHCO-INC.COM			(773) 539-4060									
-	SEE ENGINEERING FOR REVISIONS A-E		---	---															