

MODEL NUMBER
CPL-5046-10-NNN-79

NOTES:

1.0 ELECTRICAL SPECIFICATIONS:

- 1.1 FREQUENCY RANGE: 2.0 to 4.0 GHz
- 1.2 COUPLING: 10 ±1.0dB
- 1.3 FREQUENCY SENSITIVITY: ±0.75dB
- 1.4 INSERTION LOSS: 0.20dB MAX.
- 1.5 DIRECTIVITY: 25dB MIN
- 1.6 VSWR: 1.15:1 MAX.

1.7 INPUT POWER:

AVG INPUT: 10dB: 200 WATTS
 20 & 30dB: 500 WATTS
 AVG. REVERSE: 10dB: 50 WATTS
 20 & 30dB: 500 WATTS
 AVG. PEAK: 10 KILOWATTS

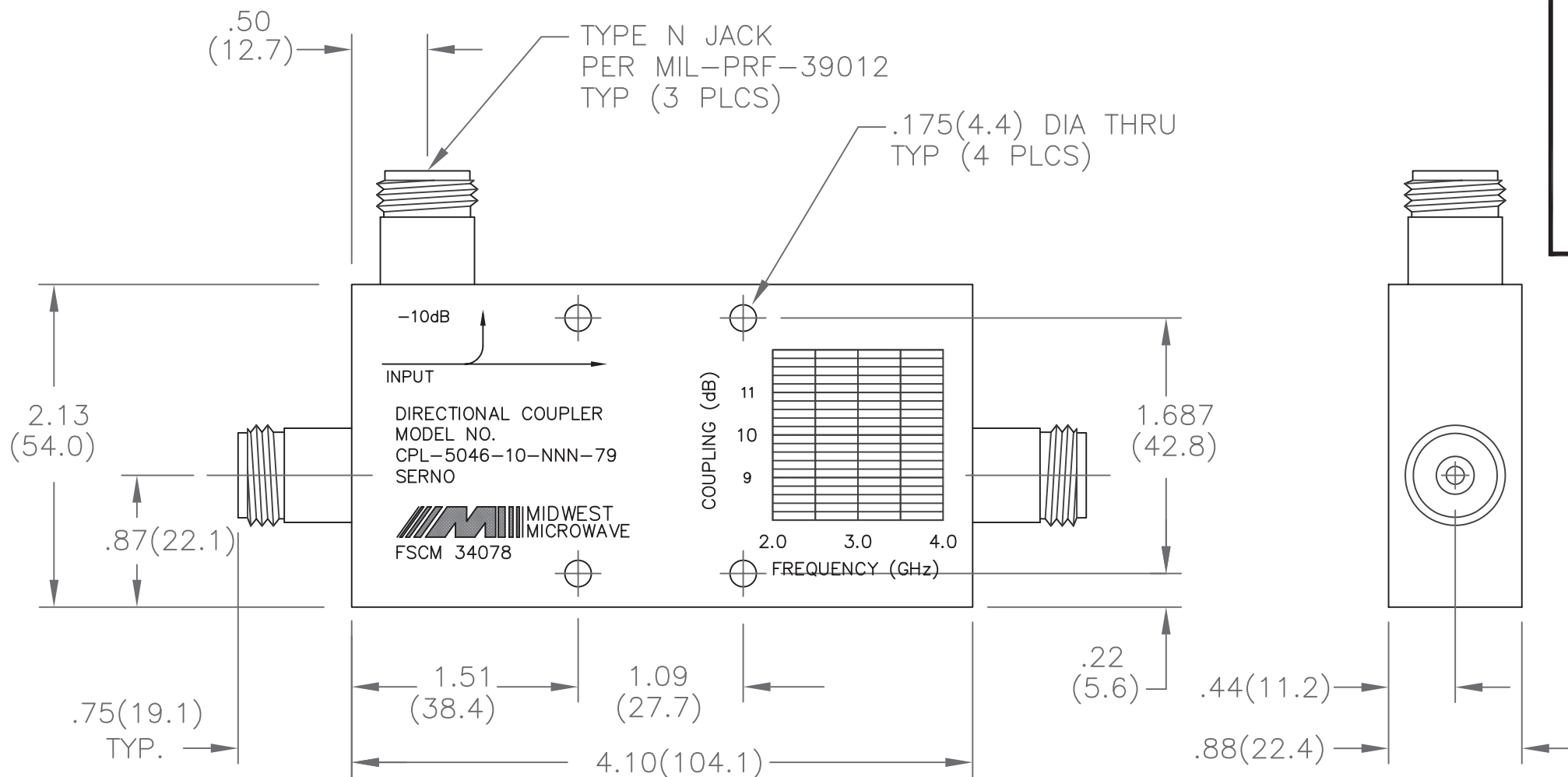
2.0 WEIGHT: 0.45 Kg. (1.0 lbs)

3.0 FINISHING:

- 3.1 GREY PER MIL-E-15090 TYPE II, CLASS 2
 OVER MIL-C-5541 CLASS 3A
 MEETS MIL-F-14072
 MEETS MIL-E-5400

- 3.2 MARK UNIT AS SHOWN
 (REF.: SLK-09144-82-04)
 USING BLUE INK.


4.0 DIMENSIONS IN PARENTHESIS
 ARE IN MILLIMETERS.



REV.	DESCRIPTION	DATE
-	RELEASED	2/20/94
A	ECN 14409	4/5/95
A1	ADDED TITLEBLOCK	4/13/05
B	ECO 22655	11/3/10

NOTICE: The information contained in this drawing is proprietary and must not be used without the permission of Cinch Connectivity Solutions.

UNLESS OTHERWISE NOTED DIMENSIONS ARE IN INCHES AND TOLERANCES ARE:
 3 PLACE DECIMALS ±.005
 2 PLACE DECIMALS ±.02
 FRACTIONS ±1/64
 PARALLELITY: T.I.R. _____
 FLATNESS: T.I.R. _____
 CONCENTRICITY: T.I.R. _____
 ANGLES AND PERPENDICULARITY: ±1°

CAGE CODE 34078		MIDWEST MICROWAVE	
		TITLE DIRECTIONAL COUPLER OUTLINE DRAWING	
		DRAWING NUMBER CPL-5046-10-NNN-79-01	
DRAWN/DATE A.BEATTY 10/29/93	ENG./DATE P.GOODMAN 2/18/94	REV. B	
CHECKED/DATE M.HOLLMAN 1/18/94	APPROVED/DATE	SCALE: 1=1	SHEET 1 of 1