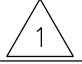
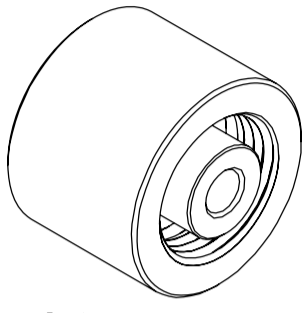
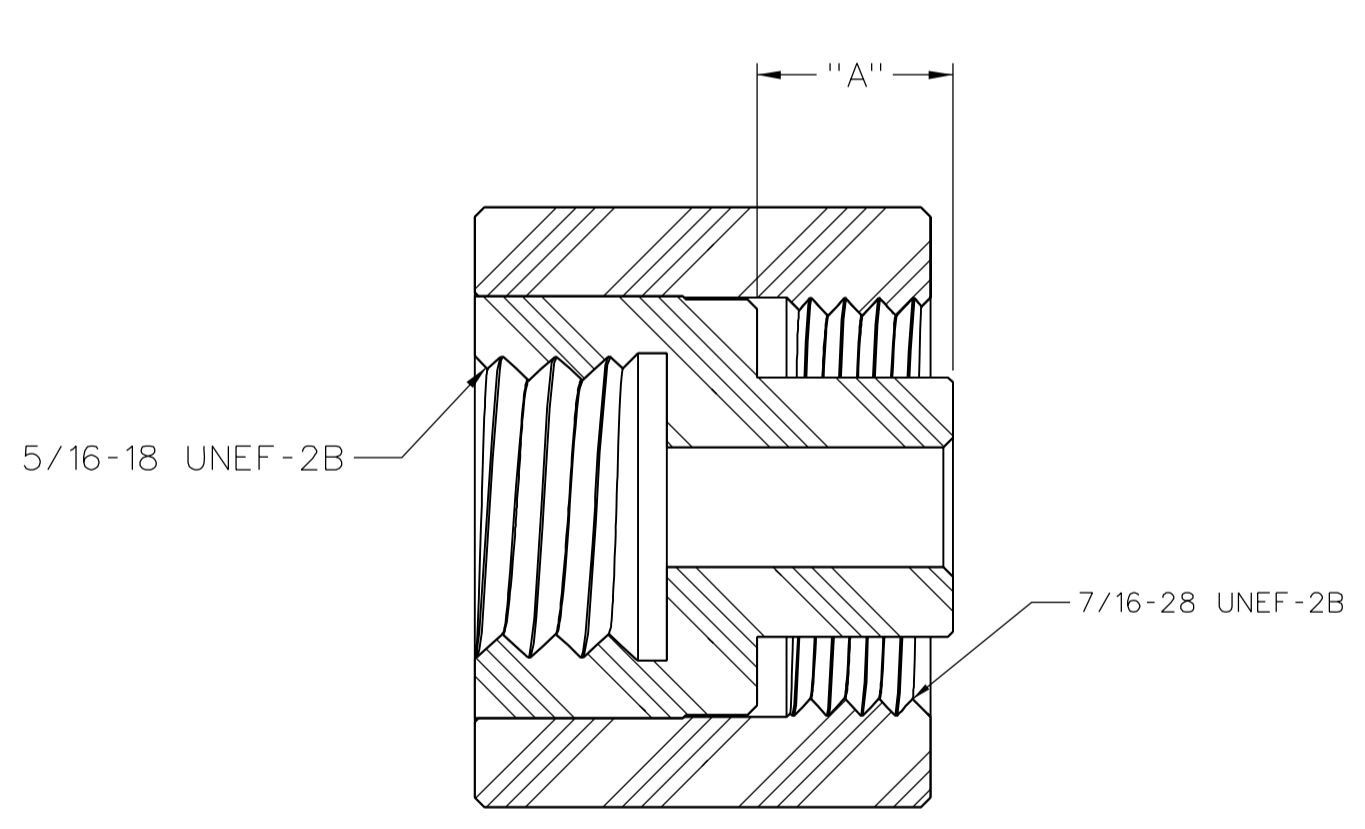
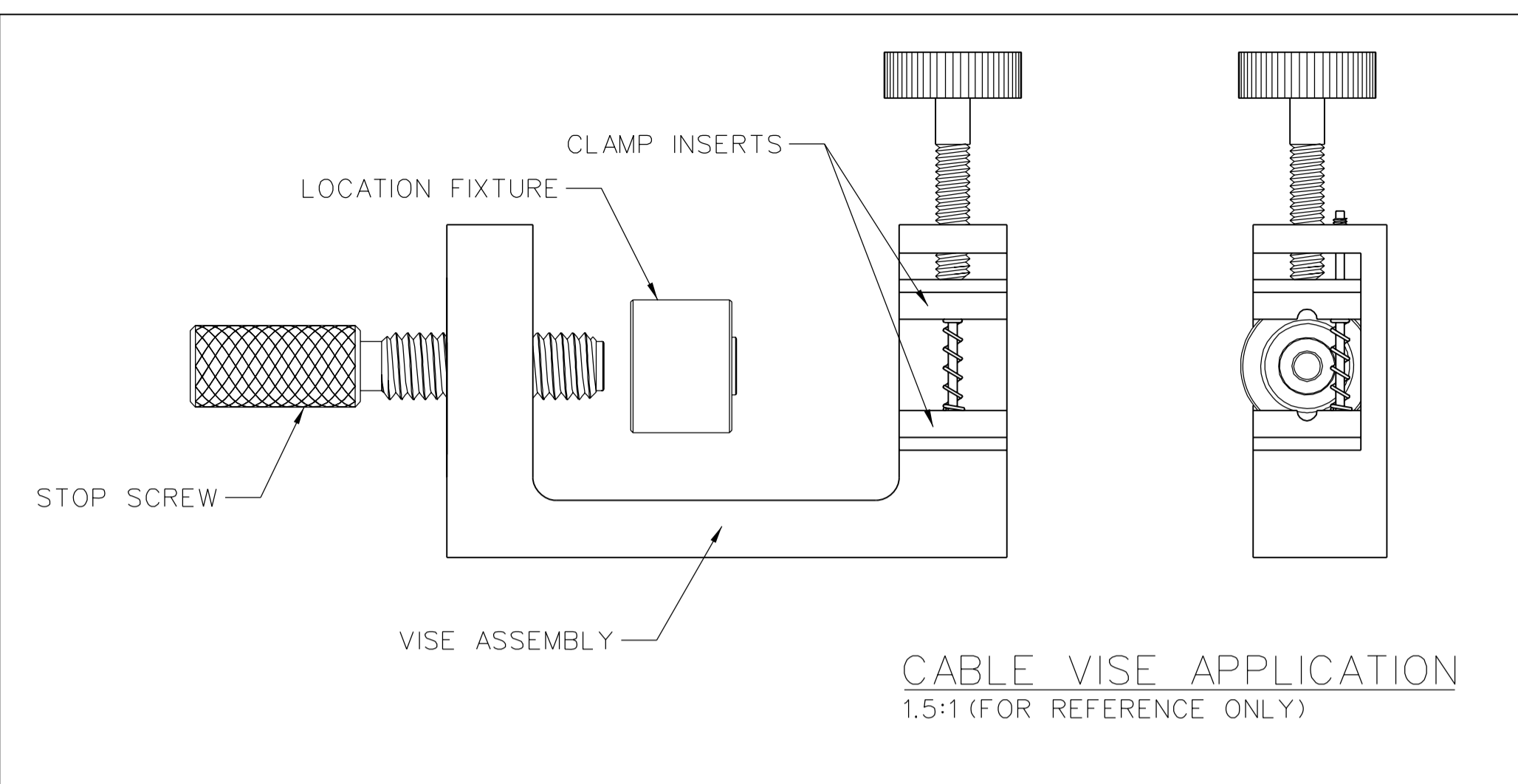


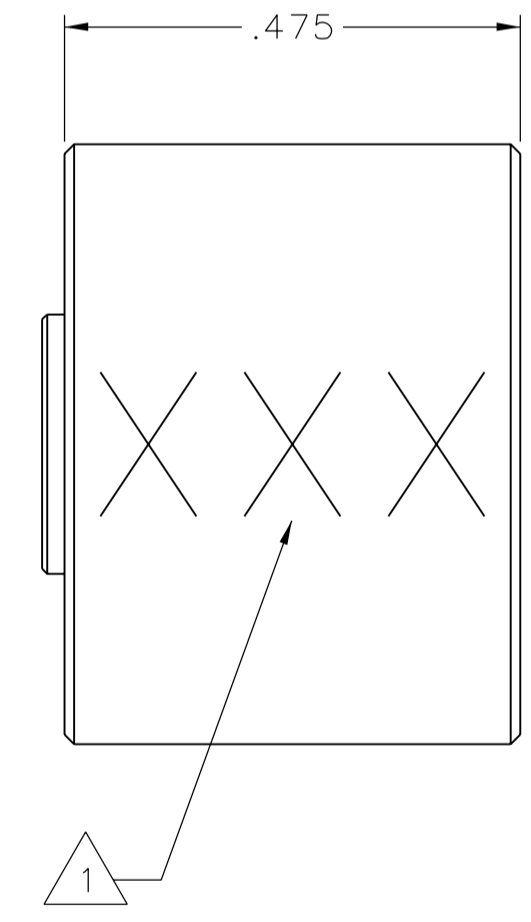
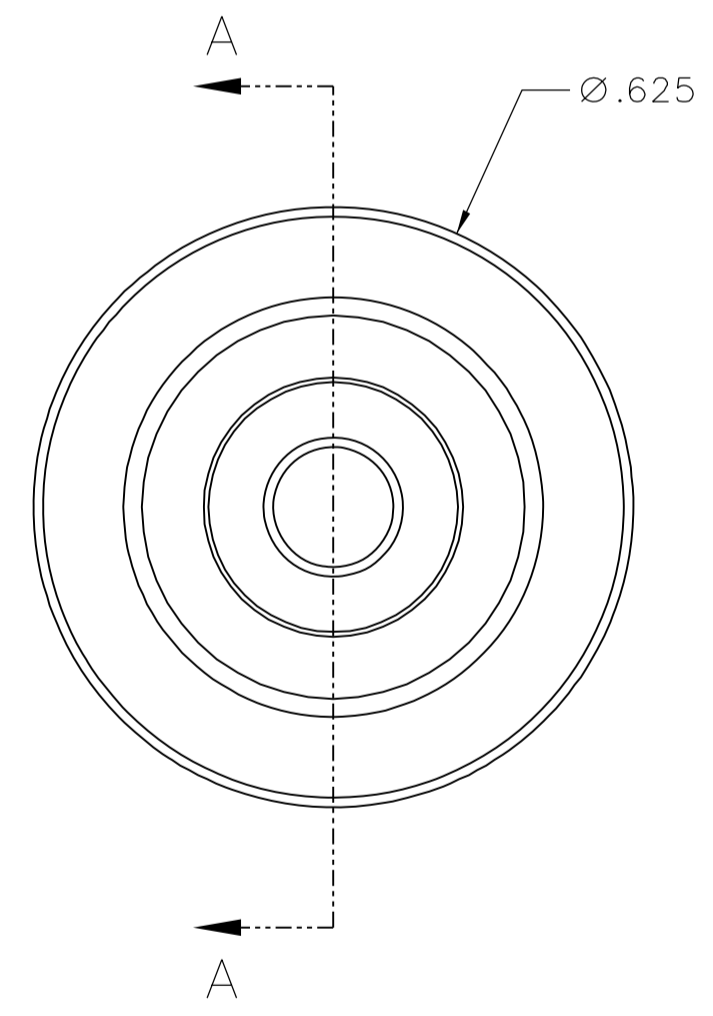
PART NUMBER	MATERIAL	"A"	MARKING 	APPLICATION CABLE TYPE	APPLICATION CABLE CLAMPING VISE
140-0000-987	GAROLITE GRADE G11	.204	086	RG 405	140-0000-962
140-0000-988	GAROLITE GRADE G11	.154	141	RG 402	140-0000-962
140-0000-989	GAROLITE GRADE G11	.164	250	RG 401	140-0000-962



2:1



SECTION A-A



DRAWING NO. C-140-0000-987/989						
0 REVISIONS						
ENGINEERING RELEASE						
1	5-3-06	P A T	J R K	P D W	M J U	7-20-06 ECN 50431

CUSTOMER DRAWING

THIS DRAWING TO BE INTERPRETED PER ASME Y 14.5M - 1994

"μ STATION"

COMPANY CONFIDENTIAL

NOTES:

- THIS LOCATION FIXTURE IS TO BE USED IN CONJUNCTION WITH THE SEMI-RIGID CABLE SOLDERING VISE, AS SHOWN IN THE APPLICATION DETAIL. REFER TO THE APPROPRIATE CONNECTOR ASSEMBLY INSTRUCTIONS FOR PROPER USAGE.

TOLERANCE UNLESS OTHERWISE SPECIFIED		DRAWN BY	DATE
DECIMALS	mm	JRK	4-27-06
.XX		CHECKED BY	DATE
.XXX REF		PDW	7-19-06
MATL		APPROVED BY	DATE
		JRK/MJU	7-19-06
FINISH		RELEASE DATE	7-20-06
		U/M INCH	SCALE 5:1



Cinch Connectivity Solutions
P.O. Box 1732
Waseca, MN 56093
1-800-247-8256

TITLE		DRAWING NO.	
LOCATION FIXTURE SEMI-RIGID CABLED TYPE N BULKHEAD JACKS		C-140-0000-987/989	
SHEET	2 OF 2		