



DESCRIPTION

The SPA is a miniature pressure switch with a high quality snap action micro switch. It is suitable for pneumatic, water, and any low pressure hydraulic applications. The switch is field adjustable with an allen screw and now features an optional IP67 rating for any of our flying lead options (CA and CS). Lead free brass is available for special application requirements.

FEATURES

- Low pressure switch
- Factory set or field adjustable
- Compact size
- Cost effective

APPLICATIONS

- Pneumatic system control
- Low pressure filter monitoring
- Car washes
- Gate control

* UL available for certain models

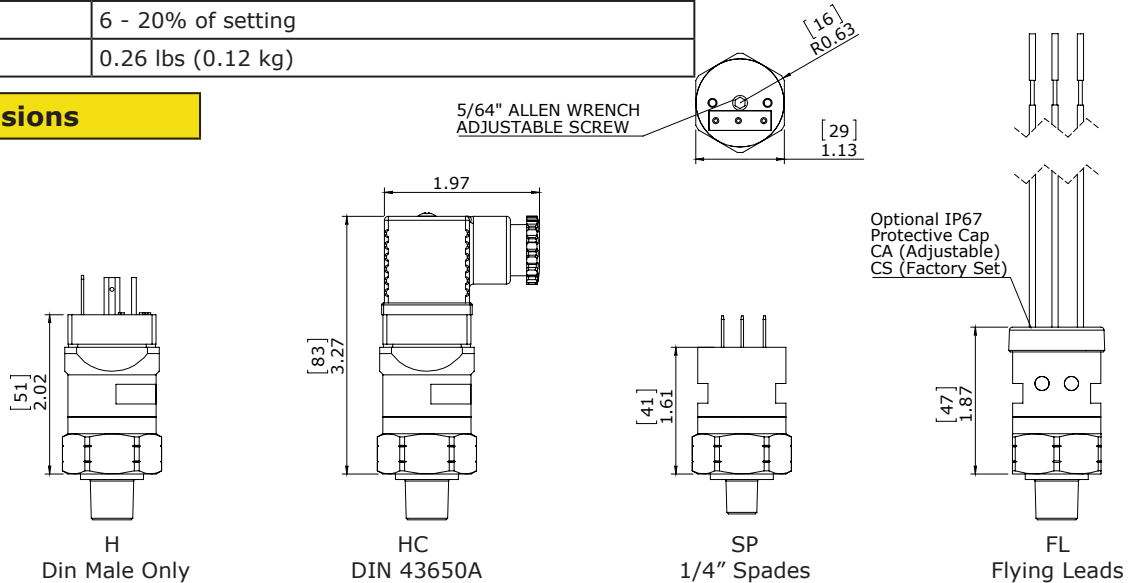
Specifications

Electrical	5A [12/24 VDC, 125 VAC] or 3A [250 VAC] Optional: 10A or Gold Contact
Switch Type	Snap Action
Protection	DIN 43650A - IP65, Terminals - IP00, CA/CS - IP67
Temperature Range	-20°F to 180°F (-29°C to 82°C) Nitrile
Mechanical Range	1,000,000 Cycles @ 75 PSI (5.2 BAR)
Diaphragm Material	Standard: Nitrile Optional: Viton, EPDM, HNBR
Housing Material	Brass (Optional Stainless Steel)
Maximum Overpressure	350 PSI (24 BAR)
Repeatability	+/- 2% of full set point range at 20°C (68°F)
Differential	6 - 20% of setting
Weight	0.26 lbs (0.12 kg)

Pressure Range

Model	Adjustment Range	
	PSI	BAR
1	3 - 7	0.2 - 0.5
2	5 - 30	0.3 - 2.1
3	25 - 150	1.7 - 10

Dimensions



Wiring Code

CONTACT	FLYING LEADS	DIN 43650 TYPE	FLWF / FLWM FLCM / FLCF / FLPM / FLPF		FLDR / FLDP	
			SPDT MODEL	SPST MODEL	SPDT MODEL	SPST MODEL
COMMON	BLACK	PIN 1	PIN A	PIN A	PIN A	PIN 1
NORMALLY CLOSED	BLUE	PIN 2	PIN C	PIN B	PIN C	PIN 2
NORMALLY OPEN	RED	PIN 3	PIN B	PIN B	PIN B	PIN 2

