

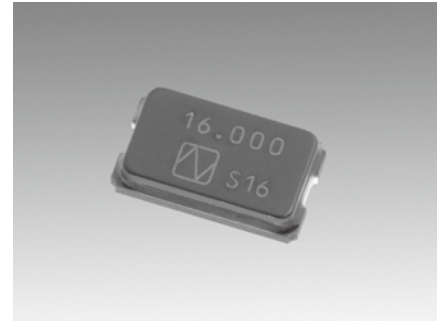
## NX8045GB

For Automotive

### ■ Features

A small surface-mount type crystal unit, ideal for Automotive.  
Compatible with an engine control CPU clock delivering the high reliability that is particularly demanded.

- Stable start-up characteristic even under extremely severe environmental conditions.
- Excellent environmental characteristics, including heat, vibration and shock resistance.
- Meets the requirements for re-flow profiling using lead-free solder.
- Conforms to AEC-Q200.

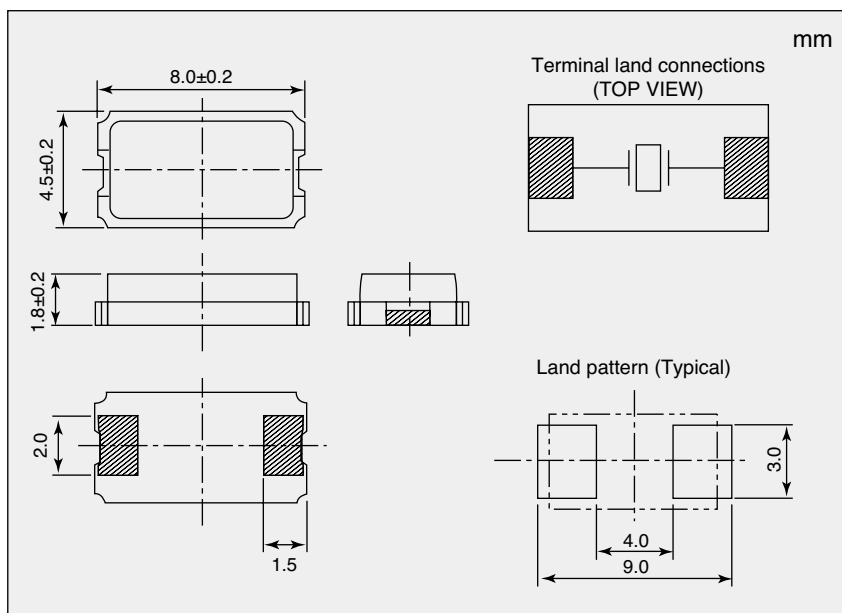


**RoHS Compliant**  
Directive 2011/65/EU

### ■ Specifications

Item	Model	NX8045GB
Nominal Frequency		8 to 40 MHz
Overtone Order		Fundamental
Frequency Tolerance (25 ±3 °C)		±50 × 10 <sup>-6</sup>
Frequency versus Temperature Characteristics (with reference to +25 °C)		±150 × 10 <sup>-6</sup>
Operating Temperature Range		-40 to +150 °C
Storage Temperature Range		-40 to +150 °C
Equivalent Series Resistance		Refer to *1
Level of Drive		10 μW (Max. 500 μW)
Load Capacitance		8 pF
Specifications Number		STD-CSJ-1

### ■ Dimensions



\*1 Equivalent Series Resistance

Nominal frequency (MHz)	Equivalent Series Resistance max. [Ω]
8 to 10	220
10 to 40	150

Please specify the model name, frequency, and specification number when you order products.  
For further questions regarding specifications, please feel free to contact us.