

Table of Contents

WIZwiki-W7500	1
WIZwiki Platform	1
Features	1
Firmware	5
Getting Started	5
Make New WIZwiki-W7500 Projects	6
Technical Reference	6
Etc.	7
See Also	7
Where to Buy	8

WIZwiki-W7500



WIZwiki Platform

WIZnet WIZwiki Platform based on WIZnet's MCU. WIZnet WIZwiki-W7500 is a WIZwiki platform board based on W7500. The IOP4IoT W7500 chip is one-chip solution which integrates an ARM Cortex-M0, 128KB Flash and hardwired TCP/IP core for various embedded application platform especially internet of things. If you use WIZwiki-W7500, you will be able to easily develop a prototype. It is compatible with Arduino Shields. This is using the CMSIS-DAP USB and ISP Header easily available firmware writing.

Features

WIZnet W7500

- ARM Cortex-M0 Core
- 48MHz, 128KB Flash
- 16KB RAM
- 32KB RAM for TCP/IP - Can be extended to system RAM
- Hardwired TCP/IP Core
- MII Interface
- ADC (8)
- GPIO (53)
- SWD (Serial Wire Debug)
- Timer/PWM
- UART (3)
- SPI (2)

External Ethernet PHY

- IC+ IP101GA

- Single Port 10/100 MII/RMII/TP/Fiber Fast Ethernet Transceiver
- Auto MDI/MDIX function
- Supports MDC and MDIO to communicate with the MAC

CMSIS-DAP

- LPC11U35FHI33/501, ARM Cortex-M0 Core, NXP
- Drag-n-drop programming
- USB Serial Port
- Easy to use C/C++ SDK

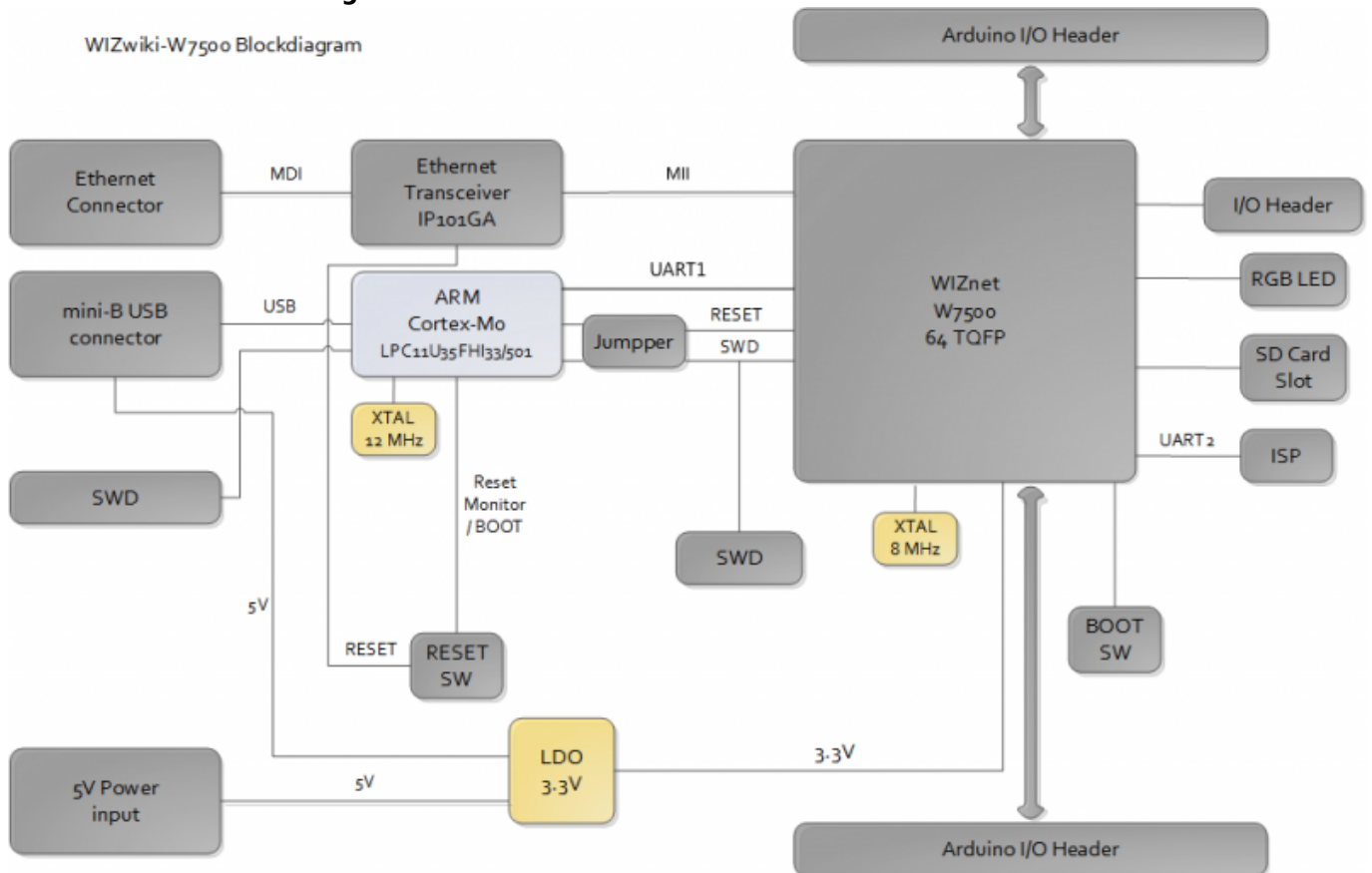
Connector

- USB Mini B Type
- Slim Size RJ45(with transformer)
- Arduino compatible pin headers
- SWD Header (1.27mm and 2.54mm)
- GPIO Header
- ISP Header

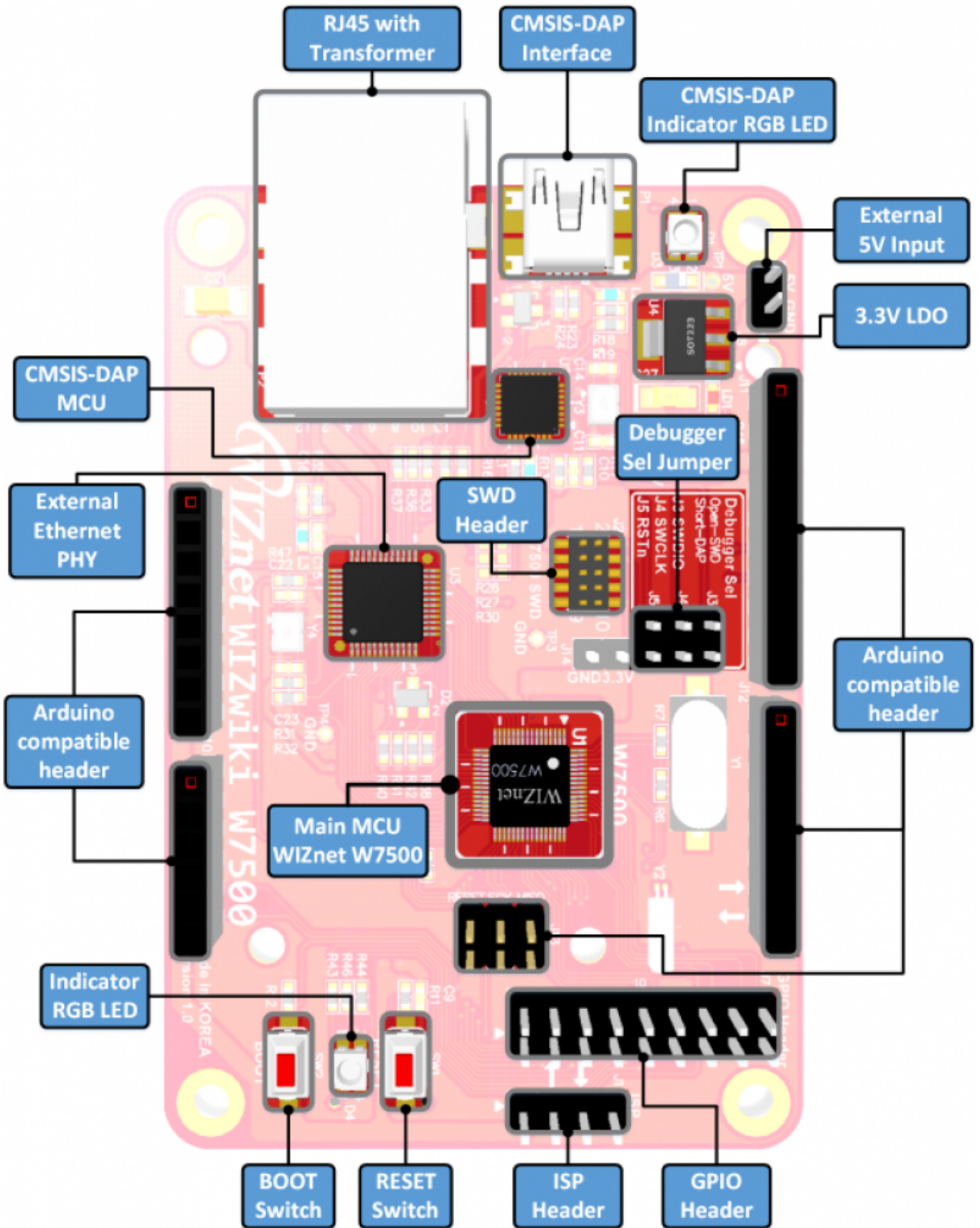
ETC

- 5V USB Power or 5V header supply
- 2 system SW - RESET SW, BOOT SW
- RGB LED
- Micro SD card slot

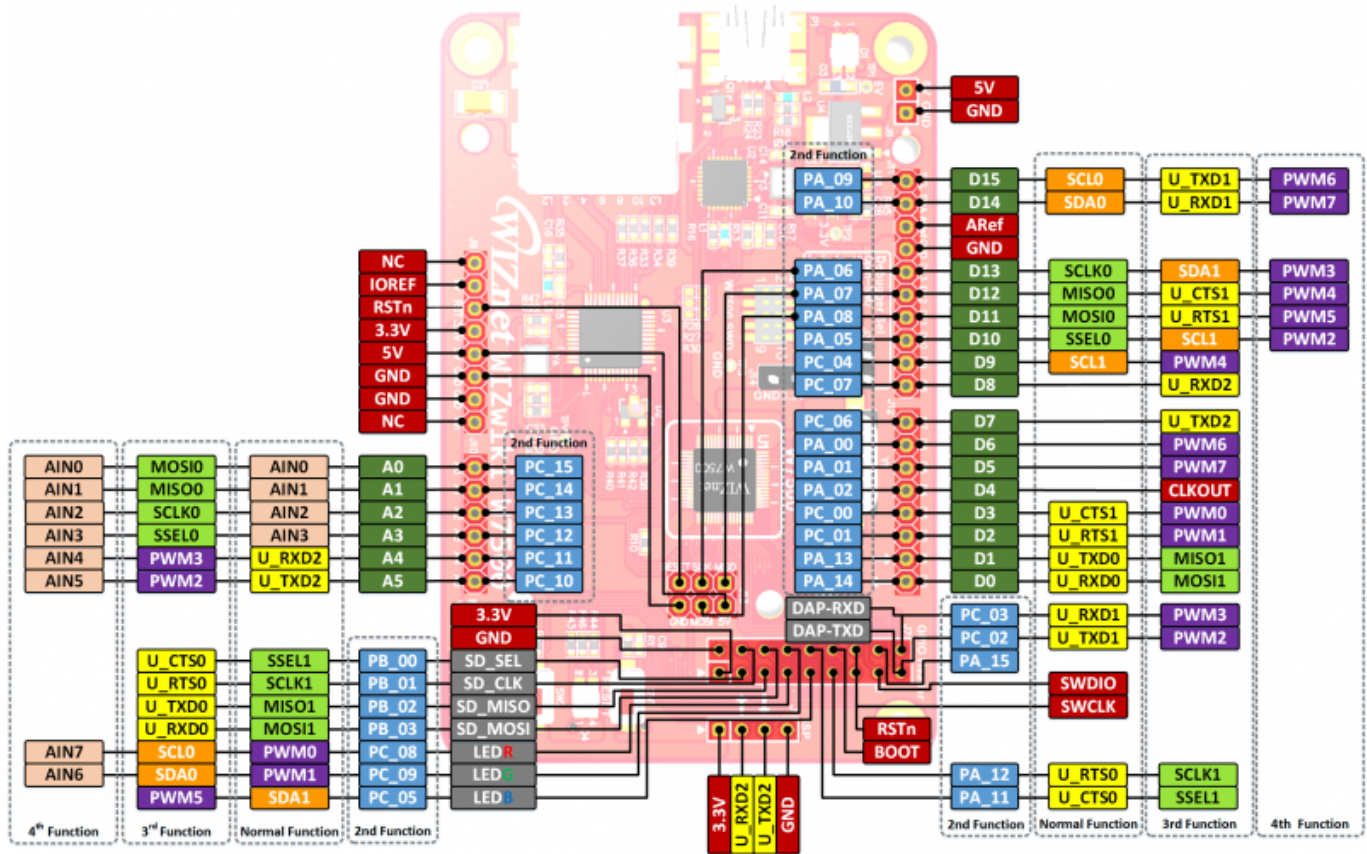
WIZwiki-W7500 Blockdiagram



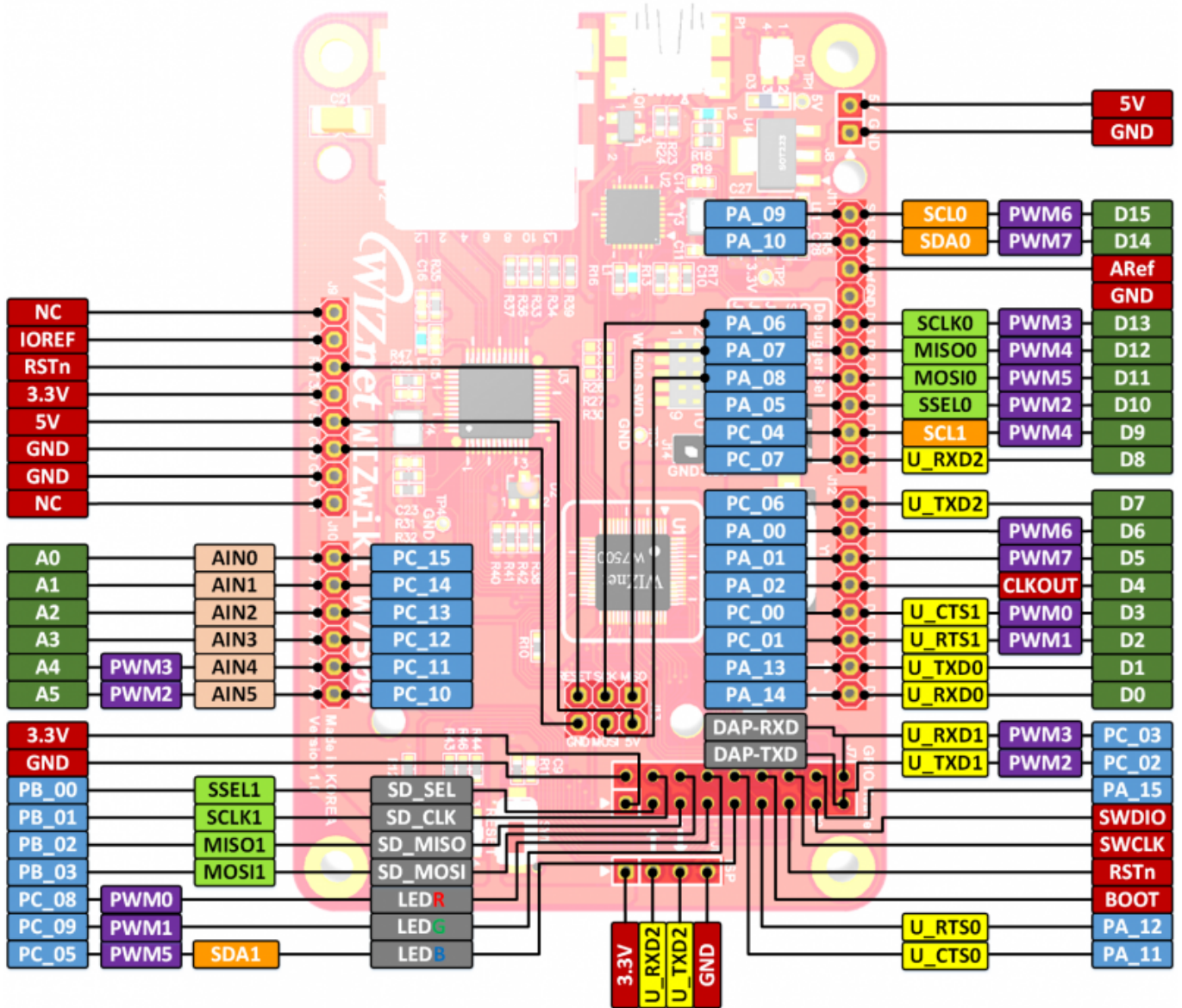
WIZwiki-W7500 Callout



WIZwiki-W7500 Detail Pinout



WIZwiki-W7500 Simple Pinout



Firmware

W7500 Library

- [W7500 Library PAGE](#)

Getting Started

- [How to start WIZwiki-W7500 Board](#)
- [How to install WIZwiki-W7500 serial driver](#)
- [How to write the firmware into WIZwiki-W7500](#)
- [How to debug WIZwiki-W7500](#)
- [How to write the firmware into CMSIS-DAP](#)

Make New WIZwiki-W7500 Projects

- [How to use ARM mbed.org platform](#)
 - [How to install KEIL uVision5](#)
 - [How to create KEIL uVision5 new project for W7500](#)
 - [How to use MDK for W7500 Peripherals Examples](#)
 - [How to use gcc for W7500 Peripherals Examples](#)
-

Technical Reference

Datasheet

- [W7500 Documents](#)
- [IP101GA Datasheet](#)
- [LPC11U35FHI33/501 Datasheet](#)

Schematic

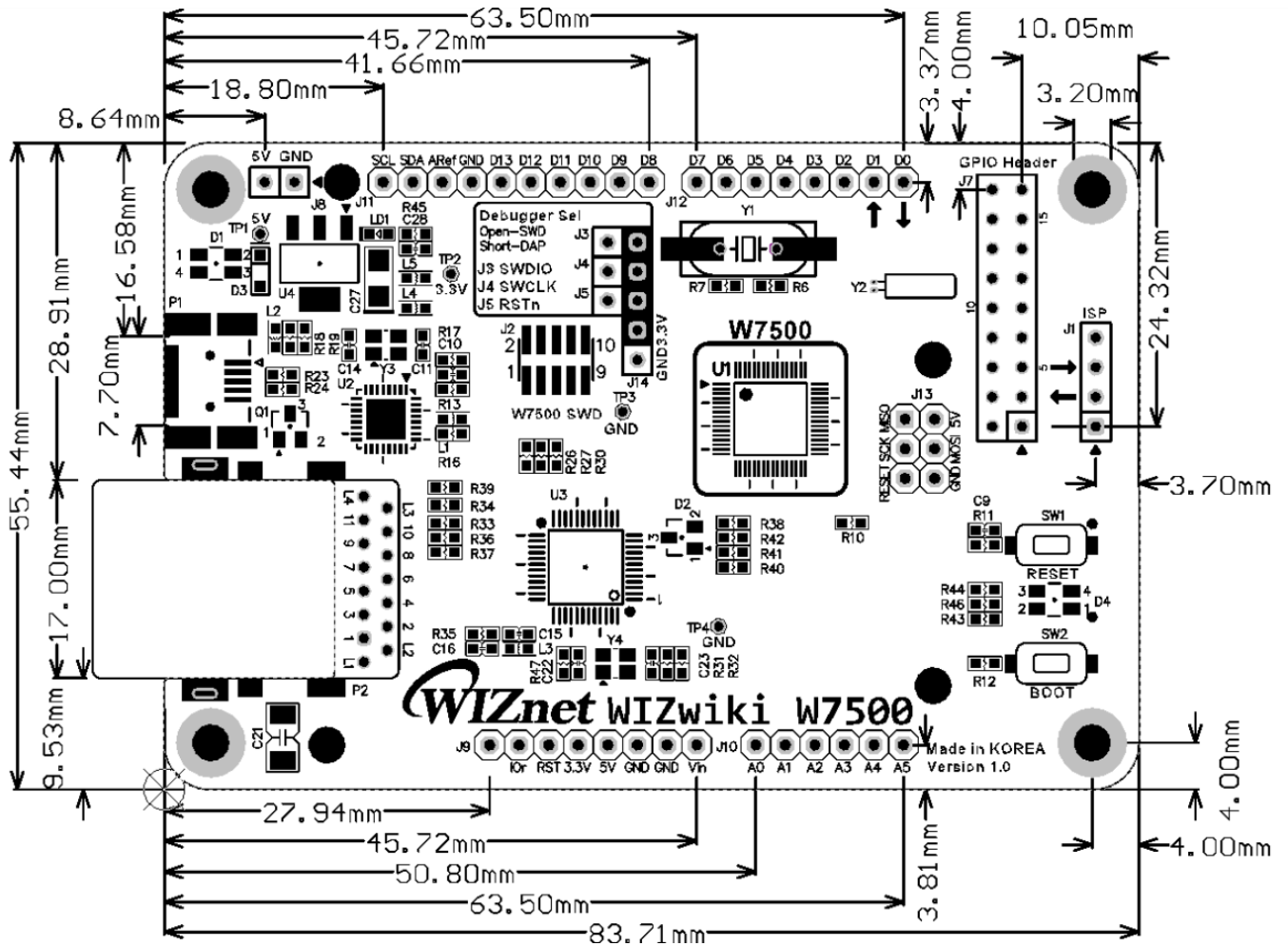
- **Schematic Version 1.1**
- [WIZwiki-W7500 V1.1 Schematic \(Altium Designer\)](#)
- [WIZwiki-W7500 V1.1 Schematic \(PDF\)](#)
- **Schematic Version 1.0**
- [WIZwiki-W7500 V1.0 Schematic \(Altium Designer\)](#)
- [WIZwiki-W7500 V1.0 Schematic \(PDF\)](#)

Part list

- [WIZwiki-W7500 V1.0 BOM \(PDF\)](#)

Dimension

- [WIZwiki-W7500 V1.0 Dimension](#)



Etc.

Serial Port Driver

- [ARM mbed Window serial configuration PAGE](#)

W7500 ISP Program

- [Go to ISP tool manual & Program download](#)

Examples Binary

- [WIZwiki-W7500 Examples Binary](#)

See Also

- [WizWiki Forum](#) : WIZnet Forum for Technical support and Project shared
- [W7500 Documents Download](#)

Where to Buy



From:
<http://wizwiki.net/wiki/> -

Document Wiki

Permanent link:
http://wizwiki.net/wiki/doku.php/products:wizwiki_w7500:start

Last update: 2020/10/14 15:19

