



MODEL: ST-04BH
PRODUCT: Electromagnetic Buzzer
EDITION: A/2016

THIS SPECIFICATION APPLIES TO THE ELECTROMAGNETIC BUZZER

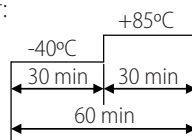
SPECIFICATION

Test condition: TEMP=+25±2 °C Related humidity=65±5% Air pressure:860 ~1060mbar

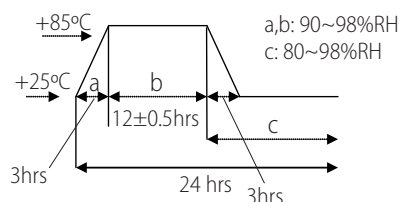
item	unit	specification	condition
rated voltage	Vo-p	3.6	
operating volt	Vo-p	2.5 ~ 4.5	
mean current	mA	100 Max	At rated voltage 2730Hz, square wave, 1/2 duty
coil resistance	Ω	16±3	
sound output	dBA	88	At 10cm(A-weight free air), at rated voltage 2730Hz, square wave, 1/2duty
rated frequency	Hz	2730	
operating temp	°C	-30 ~ +70	
storage temp	°C	-40 ~ +85	
dimension	mm	L8.5×W8.5×H4.0	See attached drawing
weight	gram	0.6	
material		LCP(Black)	
terminal		SMD type (Plating Sn)	See attached drawing
environmental protection regulation		RoHS	

ENVIRONMENT TEST

item	test condition	evaluation standard
high temp. test	After being placed in a chamber at +85°C for 96 hours.	After the test the part will meet specifications without any degradation in appearance and performance except SPL., after 4 hours at +25°C. The SPL will be in ±10dBA compared with initial one.
low temp. test	After being placed in a chamber at -40°C for 96 hours.	
thermal shock	The part will be subjected to 10 cycles. One cycle shall consist of:	



temp./humidity cycle	The part will be subjected to 10 cycles. One cycle shall be 24 hours and consist of:
----------------------	---





MODEL: ST-04BH
PRODUCT: Electromagnetic Buzzer
EDITION: A/2016

RELIABILITY TEST

item	test conditions	evaluation standard
operating life test	ORDINARY TEMPERATURE The part will be subjected to 96 hours of continuous operation at room temperature.	After the test the part will meet specifications without any degradation in appearance and performance except SPL, after 4 hours at +25°C. The SPL would be in ± 10 dBa compared with initial one.
	HIGH TEMPERATURE The part will be subjected to 72 hours of continuous operation at +70°C with 3.6V, 2730Hz applied.	
	LOW TEMPERATURE The part will be subjected to 72 hours of continuous operation at -30°C with 3.6V, 2730Hz applied.	

TEST CONDITION

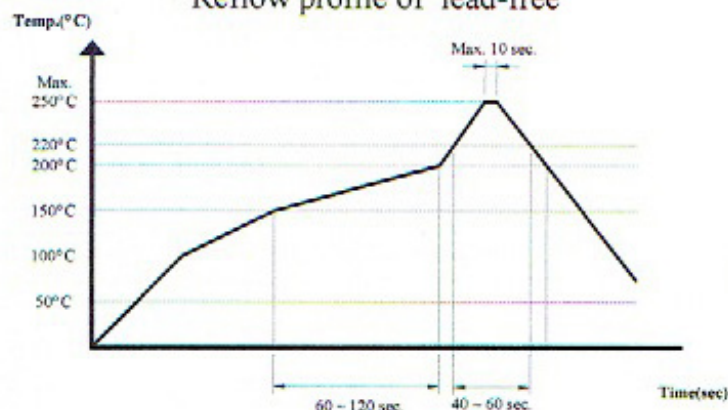
Standard Test Condition : a)Temperature: +5~+35°C b)Humidity:45~85% c)Pressure: 860~1060mbar

MECHANICAL CHARACTERISTICS

item	test condition	evaluation standard
solderability	Lead terminals are immersed in solder bath of +270 \pm 5°C for 3 \pm 1 seconds.	90% min.lead terminals will be wet with solder No interference in operation
soldering heat resistance	The product followed the reflow profile to test its reflow thermo-stability.	
terminal mechanical strength	Lead pads will be soldered on the pc board, and the force 9.8N(1.0Kg) will be applied behind the part for 10 seconds.	No damage and cutting off
vibration	The part will be subjected to a vibration cycle of 10Hz to 55Hz to 10Hz in a period of 1 minute. Total peak amplitude will be 1.52mm(9.3G). The vibration test will consist of 2 hours per axis in each three axes (X,Y,Z). Total 6 hours.	After the test the part will meet specifications without any damage in appearance and performance except SPL. SPL would be in ± 10 dBa compared with initial one.
drop test	The part only will be dropped from a height of 75cm onto a 40mm thick wooden board 3 times in 3 axes (X,Y,Z). Total of 9 times.	

RECOMMENDED TEMPERATURE PROFILE FOR REFLOW OVEN

* Reflow profile of lead-free



Recommendable wave soldering condition is as follows:

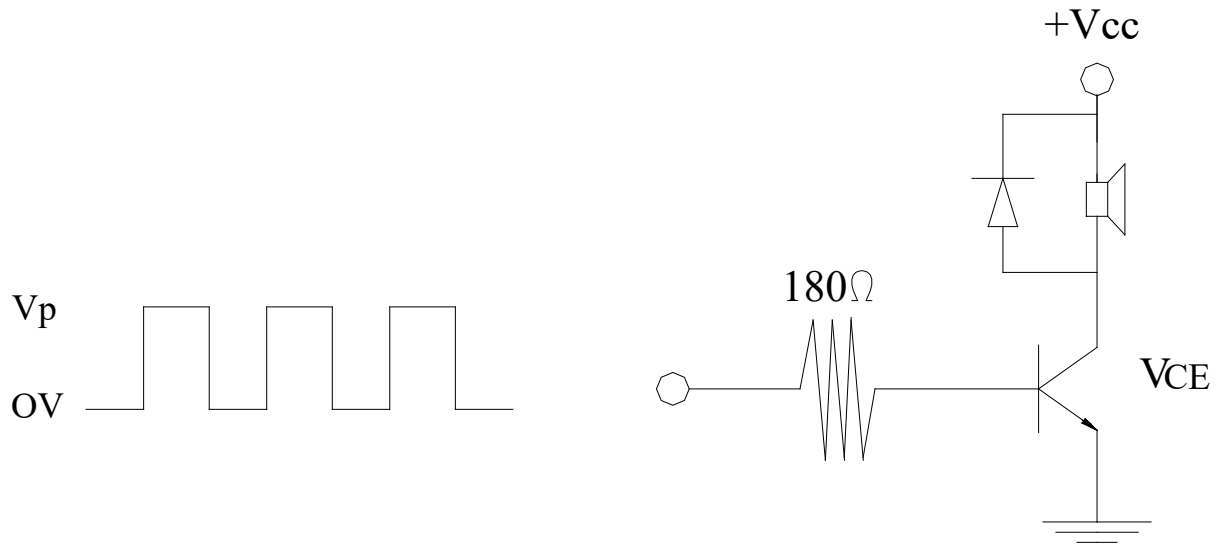
Note 1: It is requested that reflow soldering should be executed after heat of product goes down to normal temperature.

Note 2: Peak reflow temperature of 250°C maximum of 10 seconds, with a maximum duration of 40-60 seconds between 220°C and 250°C

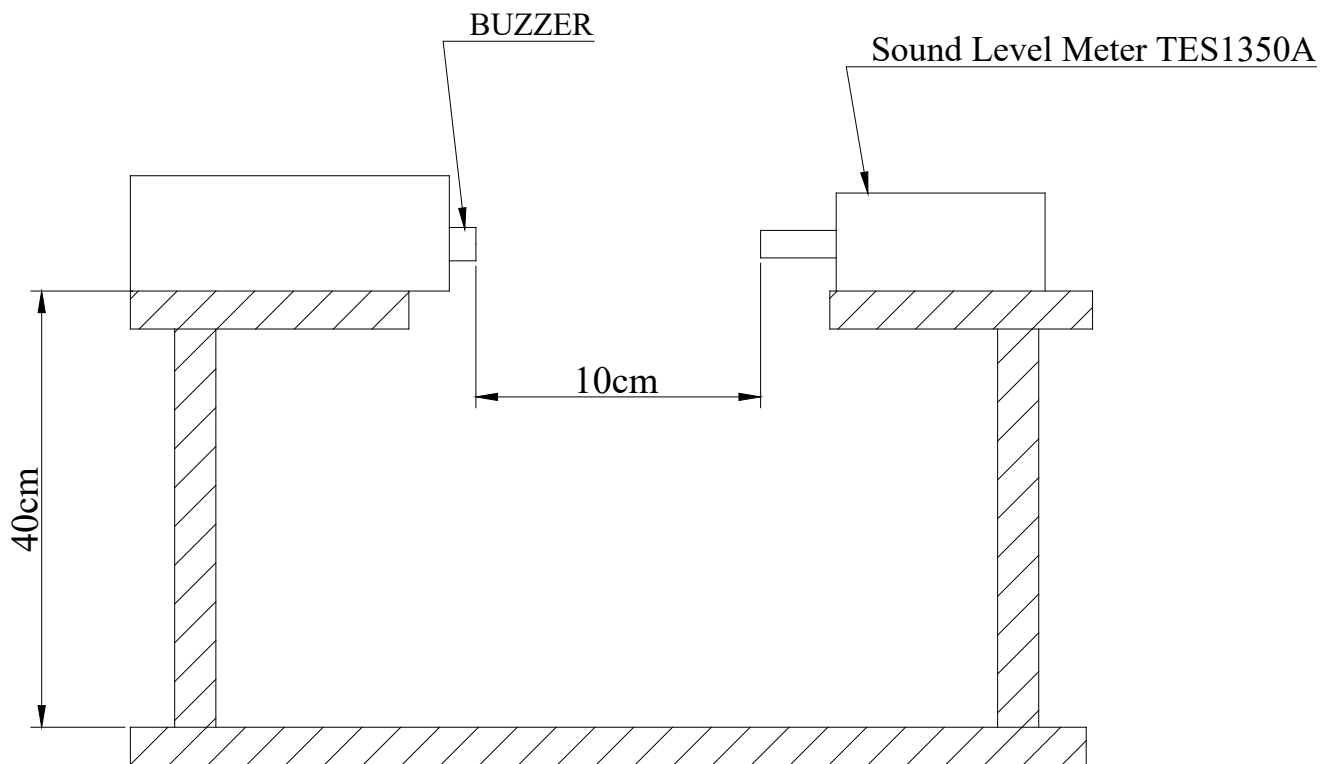


MODEL: ST-04BH
PRODUCT: Electromagnetic Buzzer
EDITION: A/2016

MEASUREMENT TEST CIRCUIT



INSPECTION FIXTURE

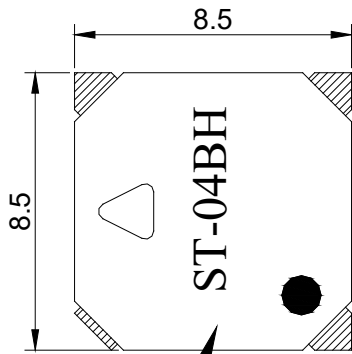




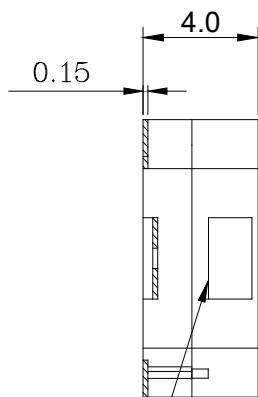
MODEL: ST-04BH
PRODUCT: Electromagnetic Buzzer
EDITION: A/2016

DIMENSIONS

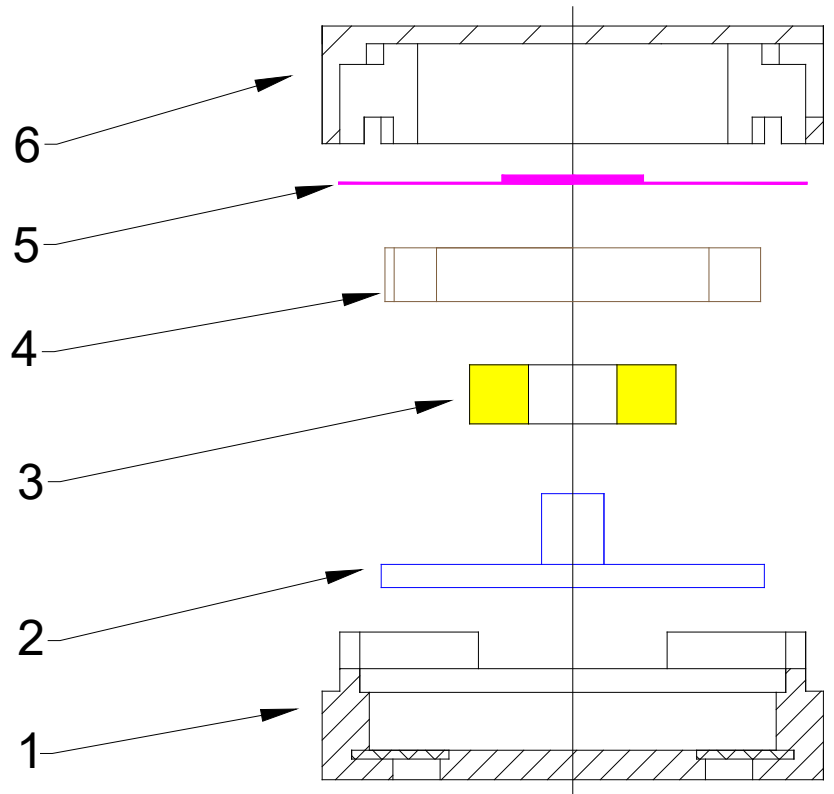
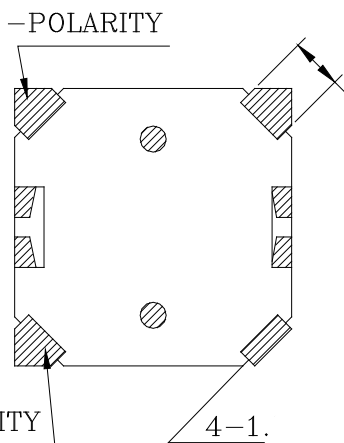
Tolerance: ±0.5 (unit: mm)



Silver ink



SOUND PORT

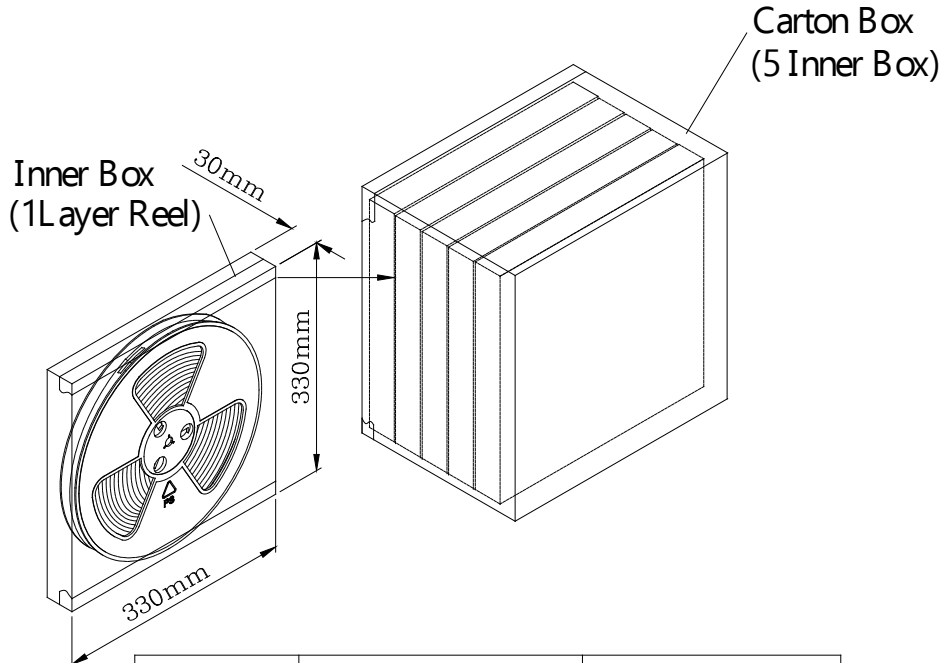
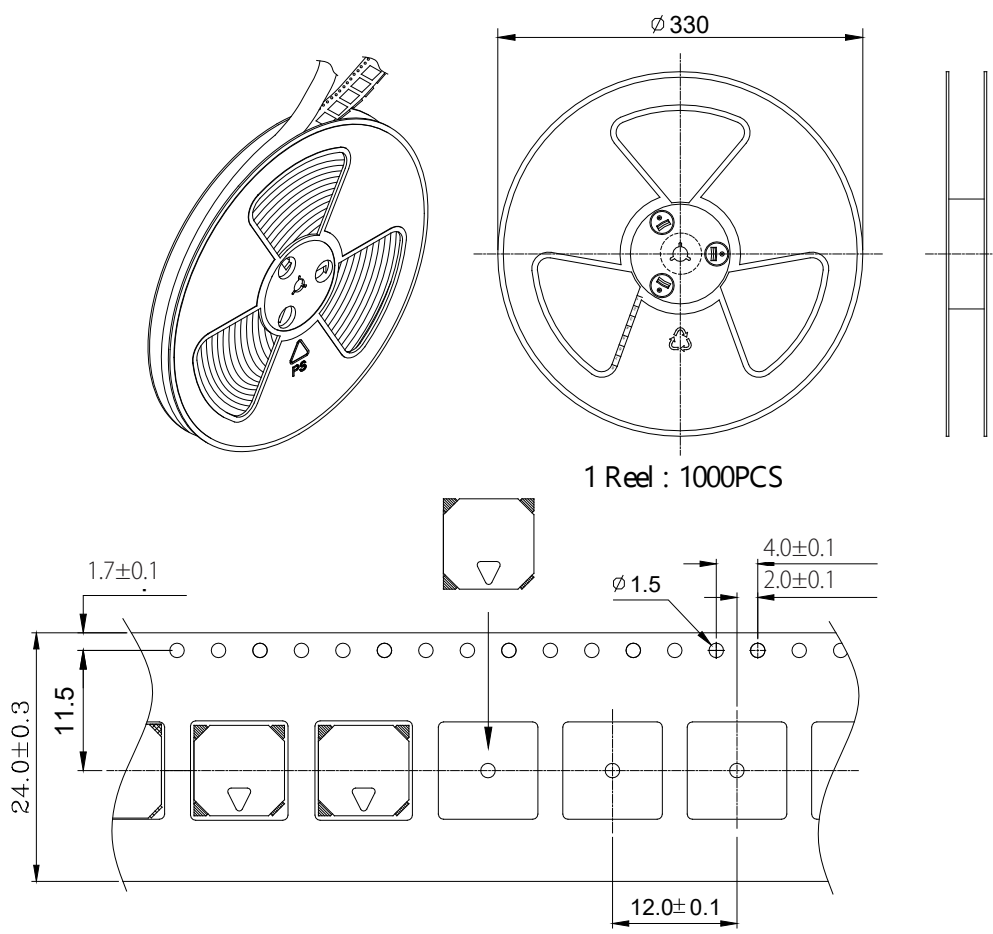


no	item	material	quantity
1	CASE	LCP	1
2	Core	Ferrum	1
3	Coil	Copper	1
4	Magnet ring	NdFeB	1
5	Diaphragm	Ferrum	1
6	CASE	LCP	1



MODEL: ST-04BH
PRODUCT: Electromagnetic Buzzer
EDITION: A/2016

PACKING



Inner Box	340mmx340mmx40mm	1x1000PCS=1000PCS
Carton Box	350mmx175mmx355mm	5x1000PCS=5,000PCS